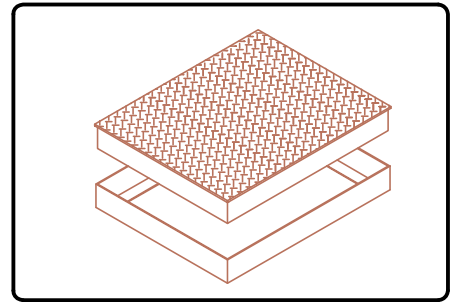
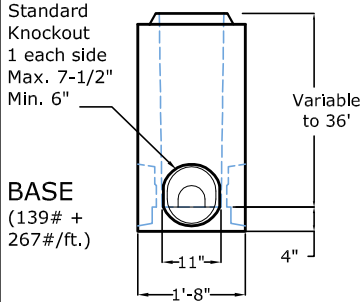
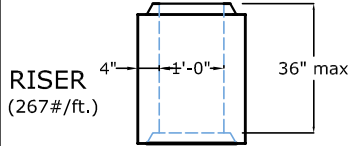
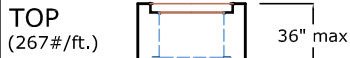


**COVER AND GRATE OPTIONS**

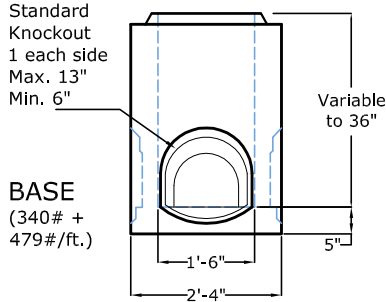
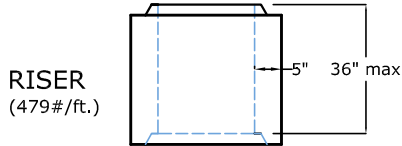


CATCH BASINS are available with the following COVER and GRATE options:

1. Traffic and Non-Traffic grates.
2. ADA and Bicycle proof Traffic grates.
3. Galv. steel solid Traffic and Non-Traffic covers.



**12" x 12" SECTION**

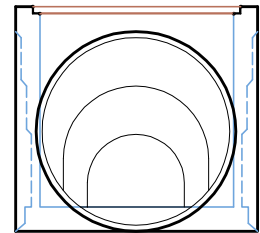


**18" x 18" SECTION**

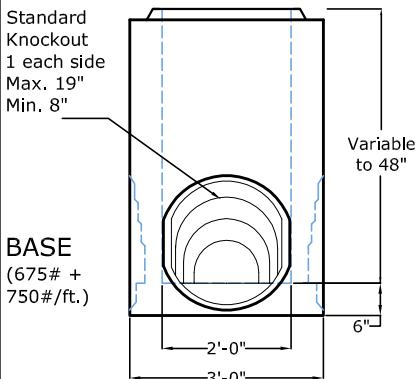
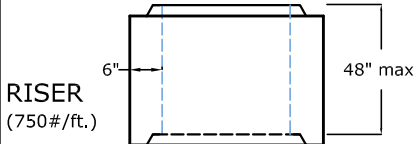
**The "BOX" Option:**

Catch Basins are available in a one piece "BOX" configuration, with the frame cast into the top of a one piece structure.

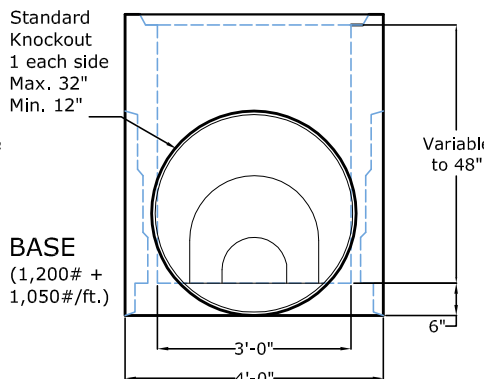
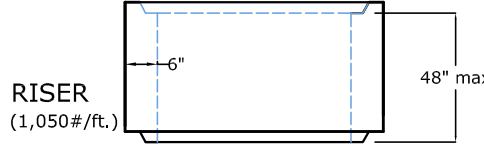
Catch Basins are available with Custom holes where required and Variable heights.



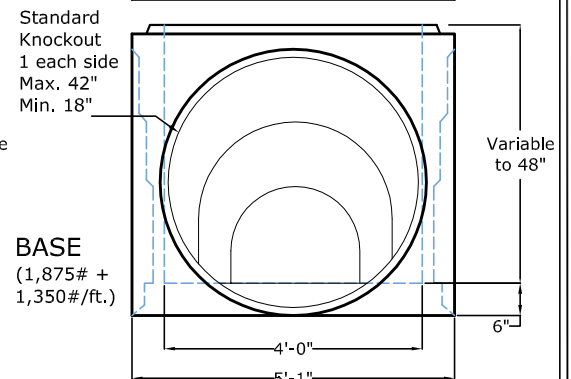
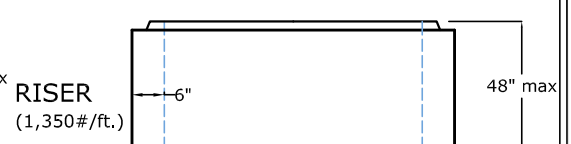
Galv. angle frame cast into top sections



**24" x 24" SECTION**



**36" x 36" SECTION**



**48" x 48" SECTION**



1625 E. DONOVAN RD., STE. C  
SANTA MARIA, CA 93454  
PH: (805) 928-2855  
FAX: (805) 928-2114  
www.midstateconcrete.com

**SQUARE CATCH BASINS**