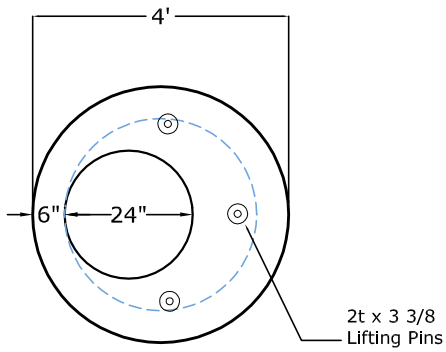
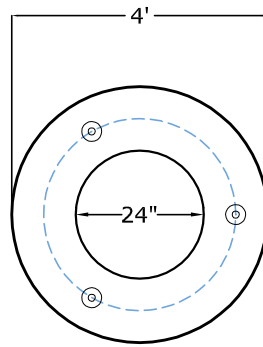


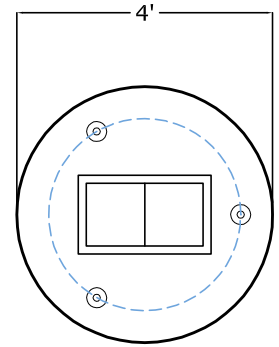
FLAT TOP OPTIONS



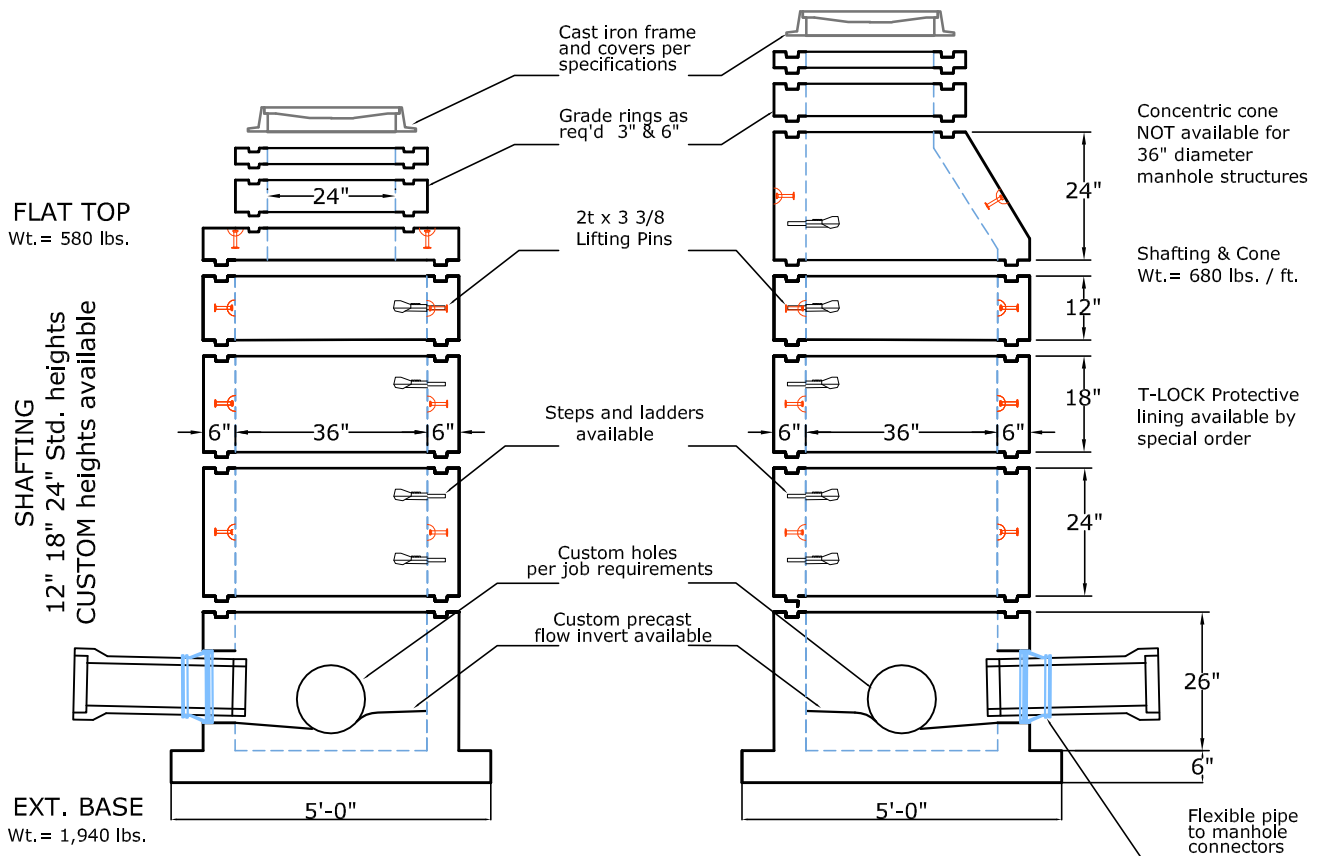
Eccentric Flat Top



Concentric Flat Top



CUSTOM Configurations available



ELEVATION VIEW



1625 E. DONOVAN RD., STE. C
SANTA MARIA, CA 93454
PH: (805) 926-2855
FAX: (805) 926-2114
www.midstateconcrete.com

36" DIAMETER MANHOLE