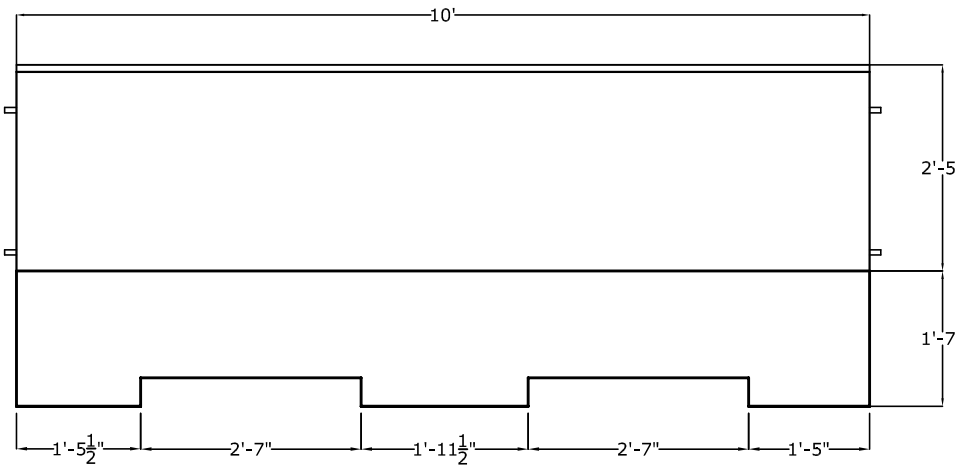
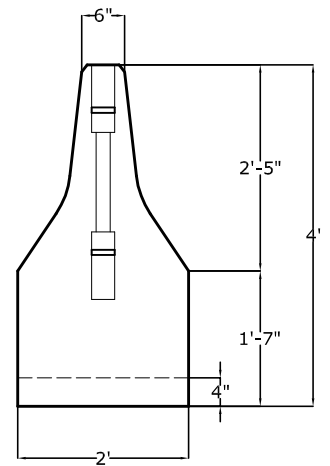


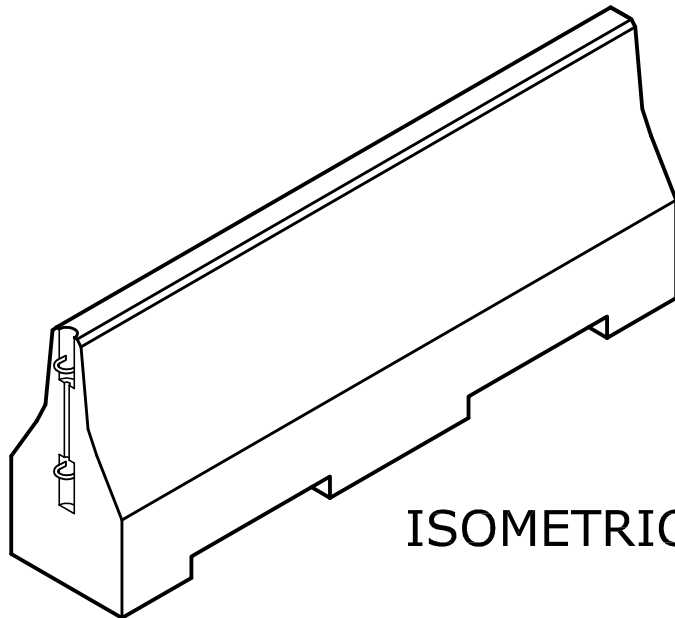
PLAN VIEW



FRONT VIEW



SIDE VIEW



ISOMETRIC

NOTES:

1. Material Specifications
 - 1.1. Concrete: Type II Portland Cement ASTM C 150 and Federal Specification on Cement, SS-C-1960/3, Type I/II Low Alkali, minimum compressive strength 4000 PSI at 28 days.
 - 1.2. Reinforcing Bar: ASTM A 615, Grade 40.
 - 1.3. Secondary Reinforcing: Polypropylene fibers shall be added to the concrete, and improve durability.



1625 E. DONOVAN RD., STE. C
 SANTA MARIA, CA 93454
 PH: (805) 928-2855
 FAX: (805) 928-2114
 www.midstateconcrete.com

10' K-RAIL - 4' TALL

Wt= 8,000 lbs.