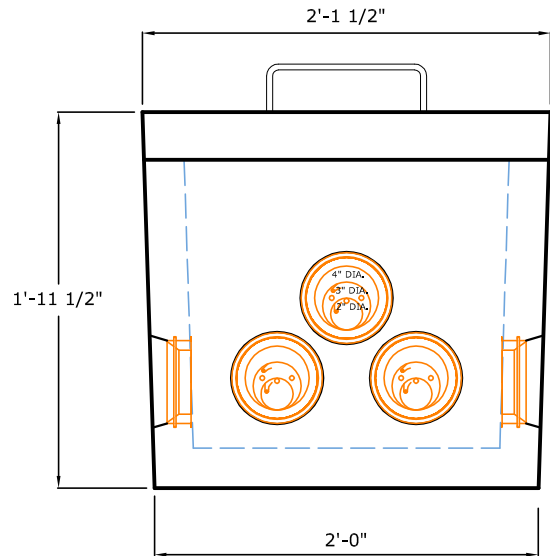
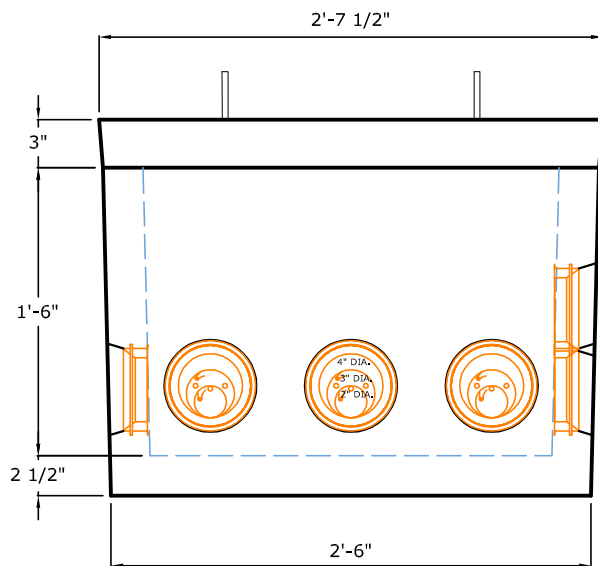


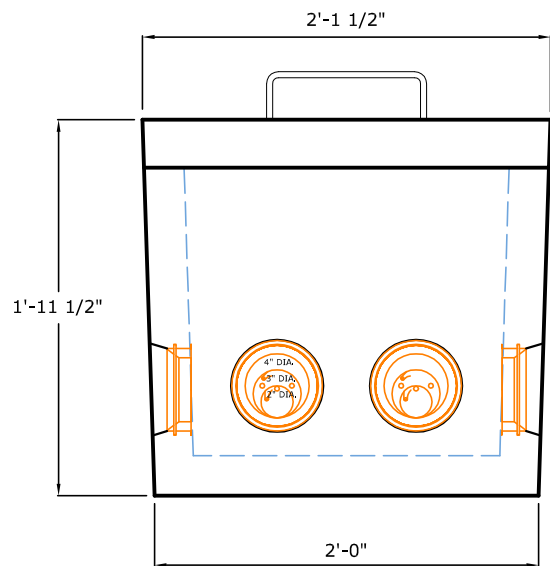
PLAN VIEW



BACK ELEVATION



FRONT ELEVATION



SIDE ELEVATION

NOTES:

1. Heights shown above are nominal dimensions. Actual dimensions vary to allow a  $\frac{1}{2}$ " mortar or sealant joint, if needed.
2. Inlet and Outlet holes are cast in product wall using "Polylok Pipe Seal" low pressure pipe seals.
3. Wire mesh ASTM A 185

**MID STATE**  
Concrete Products  
Santa Maria, Ca

1625 E. DONOVAN RD., STE. C  
SANTA MARIA, CA 93454  
PH: (805) 928-2855  
FAX: (805) 928-2114  
www.midstateconcrete.com

**10 - OUTLET  
DISTRIBUTION BOX**

WT = 780 LBS

REV. 09/07