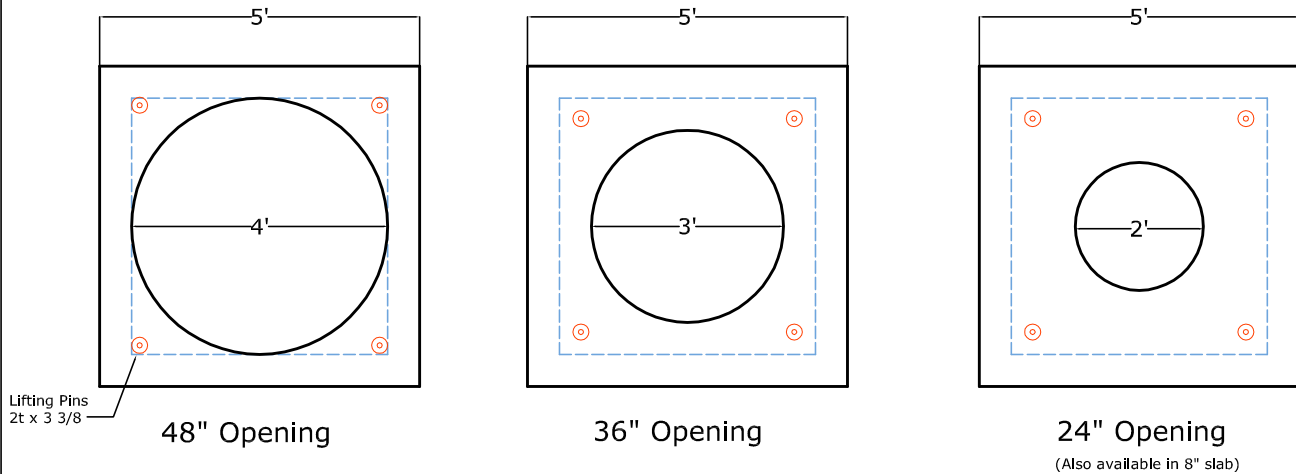


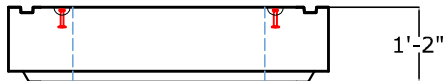
TRANSITION TOP OPTIONS



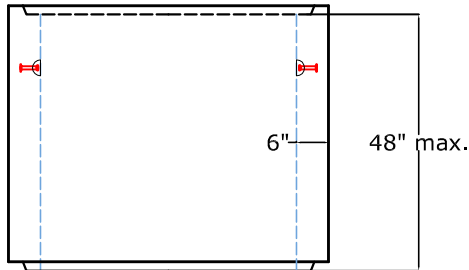
MANHOLE
SHAFTING
(1,060#/ft.)



TRANSITION
TOP SLAB
(Wt. = 2,060 lbs.)



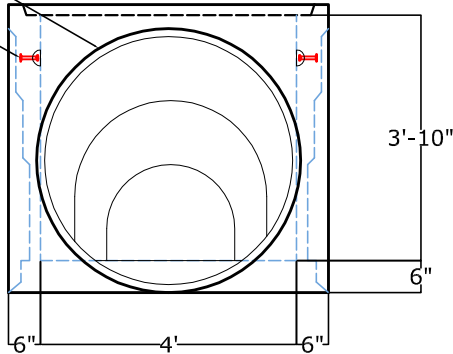
RISER
(1,350#/ft.)



Standard
Knockout
1 each side
Max. 42"
Min. 18"

Lifting Pins
2t x 3 3/8

BASE / BOX
(Wt. = 5,260 lbs.)



ELEVATION VIEW

MID STATE
Concrete Products
Santa Maria, Ca

1625 E. DONOVAN RD., STE. C
SANTA MARIA, CA 93454
PH: (805) 928-2855
FAX: (805) 928-2114
www.midstateconcrete.com

**48" x 48" STORM DRAIN
MANHOLE**