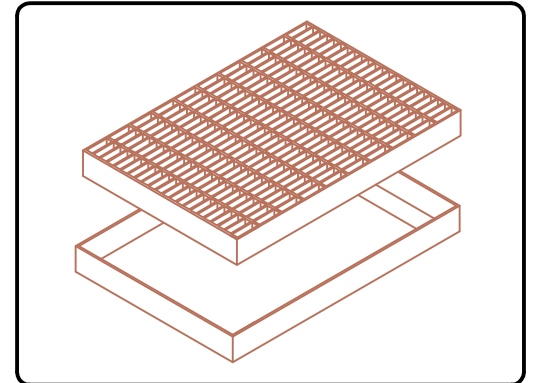
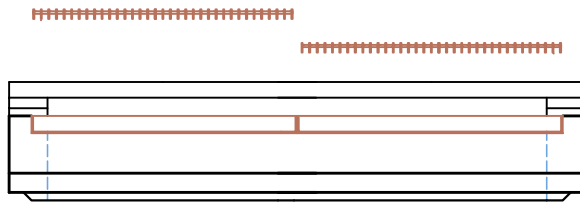


PLAN VIEW

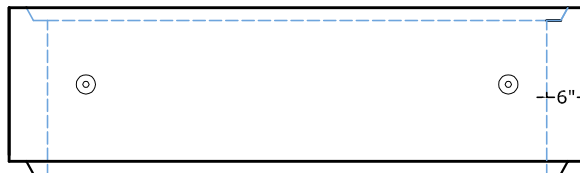


"Bicycle Proof"
STEEL GRATE & FRAME Type 24-13
Traffic and Non Traffic available

CURB TOP
(2,040 lbs.)



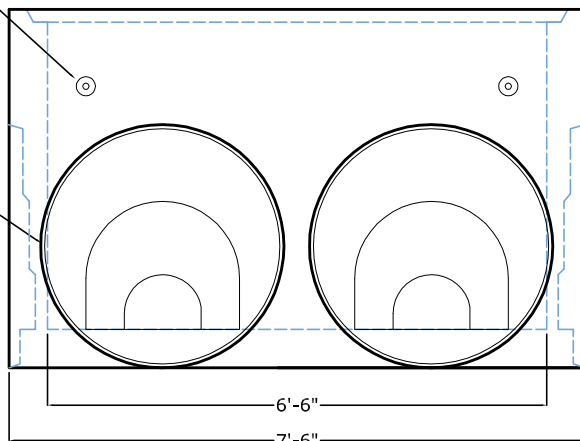
RISER
(1,575 lbs./ft.)



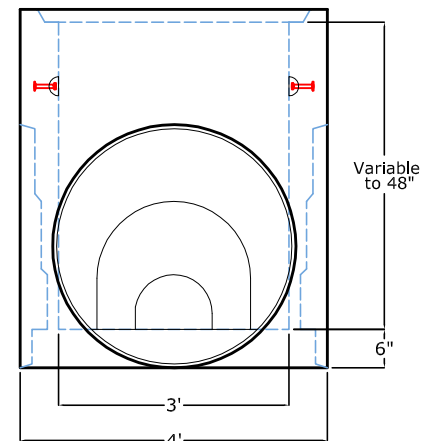
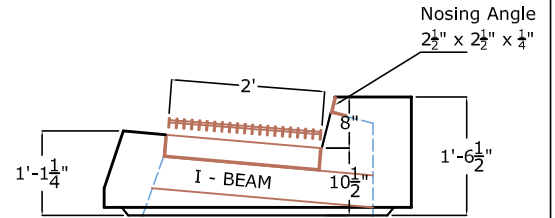
2t x 3 3/8
Lifting Pins

Standard
Knockout
2 ea. side wall
and
1 ea. end wall
Max. 32"
Min. 12"

BASE
(2,250 lbs. +
1,575 lbs./ft.)



FRONT ELEVATION



SIDE ELEVATION

NOTES:
1. Heights shown above are nominal dimensions. Actual dimensions vary to allow a 1/2" mortar or sealant joint.



1625 E. DONOVAN RD., STE. C
SANTA MARIA, CA 93454
PH: (805) 928-2854
FAX: (805) 928-2114
www.midstateconcrete.com

GT4 CURB INLET
Cal Trans Standard