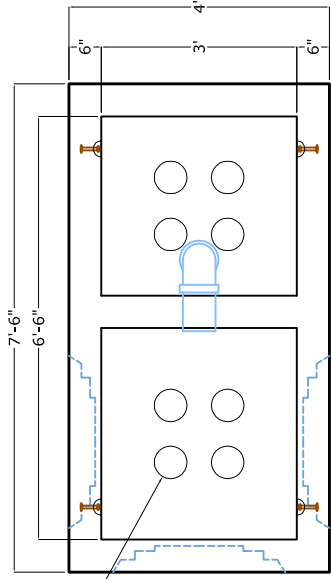


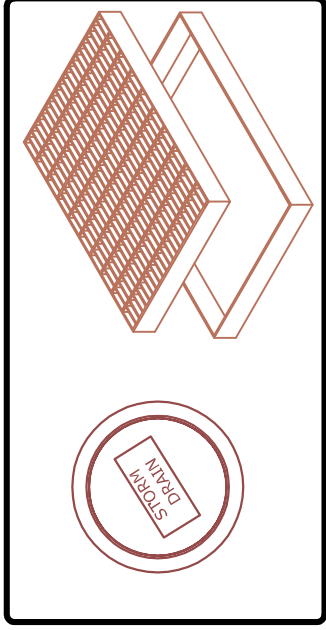
PLAN VIEW LID

2t x 3 3/8  
Lifting Pins



PLAN VIEW BASE

6" Diameter  
Hole



Cast Iron Frame  
and Cover  
SBF-1900

36" x 36" Bicycle Proof  
Steel Grate & Frame

NOTES:

1. Heights shown are nominal dimensions. Actual dimensions vary to allow a 1/2" mortar or sealant joint.

Cast Iron SBF-1900  
Frame & Cover

Grade Ring  
as required

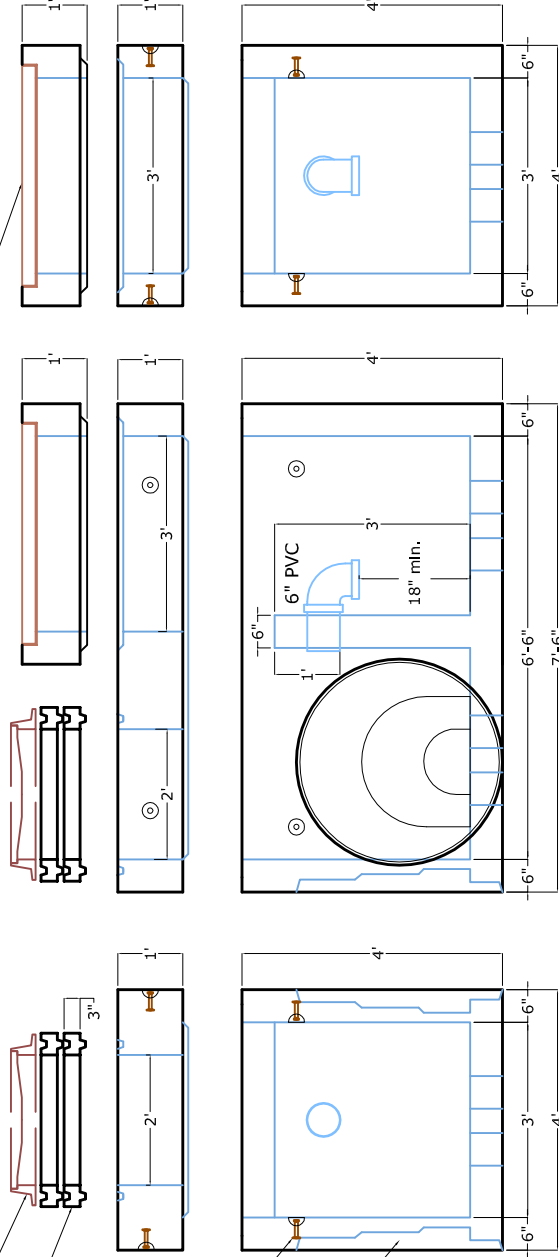
Cast-In-Frame

LID  
(2,640 lbs.)

2 tons x 3-3/8"  
Lifting Pins

Standard  
Knockout  
Max. 32"  
Min. 12"

BASE  
(8,555 lbs.)



END ELEVATION

FRONT ELEVATION

END ELEVATION



1625 E. DONOVAN RD., STE. C  
SANTA MARIA, CA 93454  
PH: (805) 928-2855  
FAX: (805) 928-2114  
www.mldstateconcrete.com

**INFILTRATOR BASIN**  
**SLO COUNTY**  
**CONCEPT 3**

REV. 07/2015