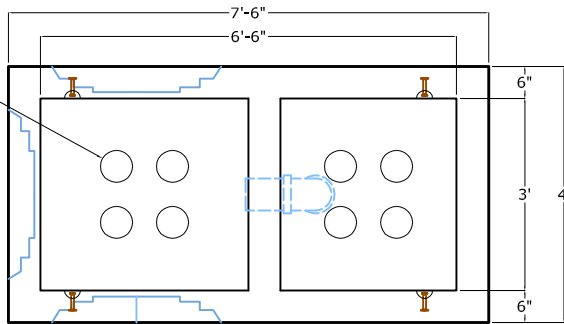


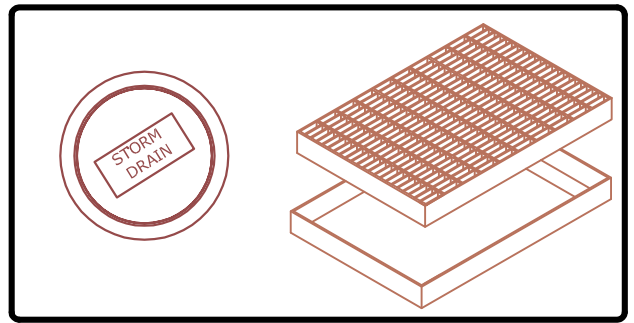
PLAN VIEW LID

2t x 3 3/8 Lifting Pins



PLAN VIEW BASE

6" Diameter Hole



Cast Iron Frame and Cover SBF-1900

24" x 36" Bicycle Proof Steel Grate & Frame Type 24-13

NOTES:
1. Heights shown are nominal dimensions. Actual dimensions vary to allow a 1/2" mortar or sealant joint.

Cast Iron SBF-1900 Frame & Cover

Grade Ring as required

LID (2,640 lbs.)

2 tons x 3-3/8" Lifting Pins

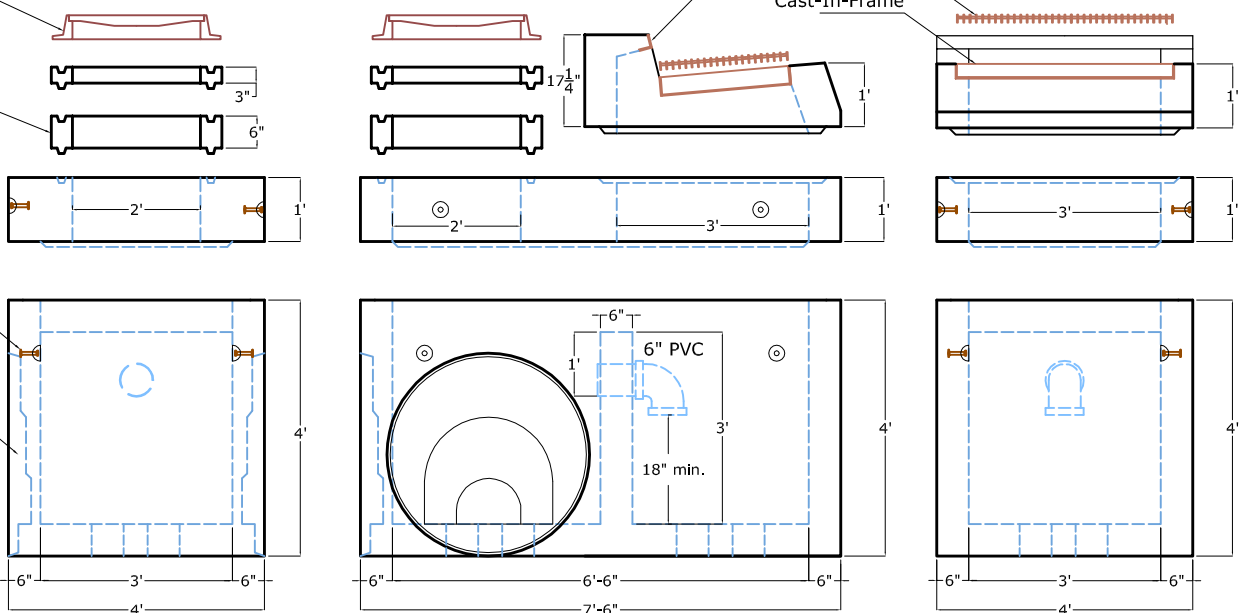
Standard Knockout Max. 32" Min. 12"

BASE (8,555 lbs.)

Nosing Angle 2 1/2" x 2 1/2" x 1/4"

Traffic Grate

Cast-In-Frame



END ELEVATION

FRONT ELEVATION

END ELEVATION



1625 E. DONOVAN RD., STE. C
SANTA MARIA, CA 93454
PH: (805) 928-2855
FAX: (805) 928-2114
www.midstateconcrete.com

INFILTRATOR BASIN
SLO COUNTY
CONCEPT 2

REV. 07/12