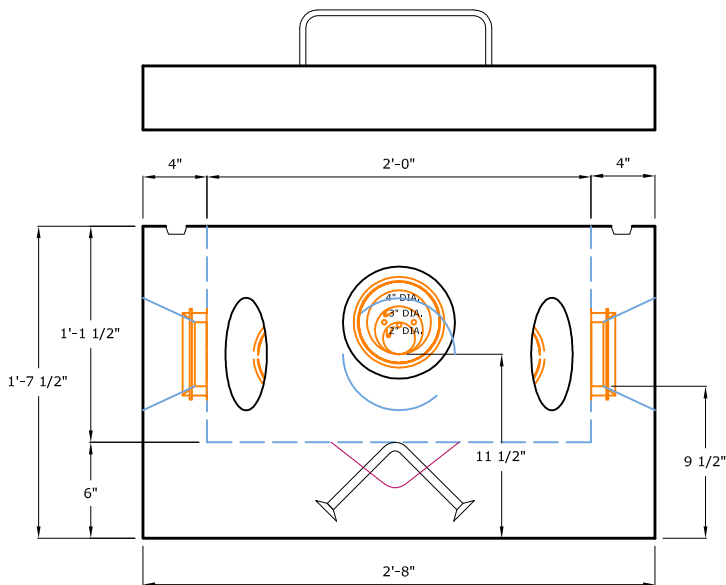
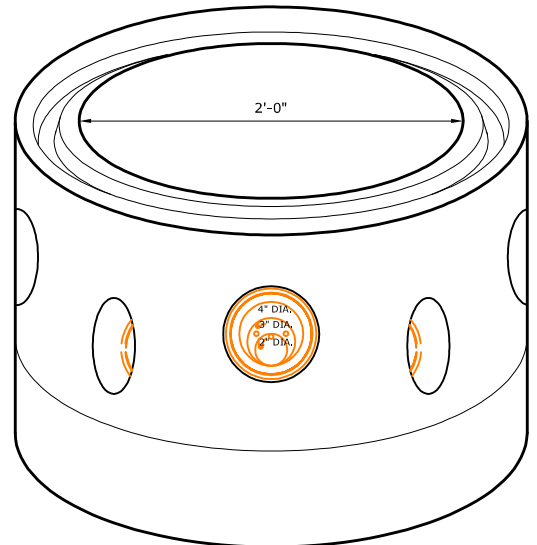
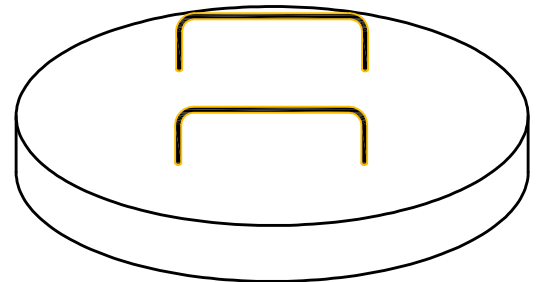


PLAN VIEW



ELEVATION

COVER
WT. = 240 lbs.



D-BOX
WT. = 810 lbs.

ISOMETRIC

NOTES:

1. Heights shown above are nominal dimensions. Actual dimensions vary to allow a $\frac{1}{2}$ " mortar or sealant joint, if needed.
2. Inlet and Outlet holes are cast in product wall using "Polylok Pipe Seal" low pressure pipe seals.
3. Wire mesh ASTM A 185

MID STATE
Concrete Products
Santa Maria, Ca

1625 E. DONOVAN RD., STE. C
SANTA MARIA, CA 93454
PH: (805) 928-2855
FAX: (805) 928-2114
www.midstateconcrete.com

24 ROUND D-BOX
7 outlets

REV. 05/12