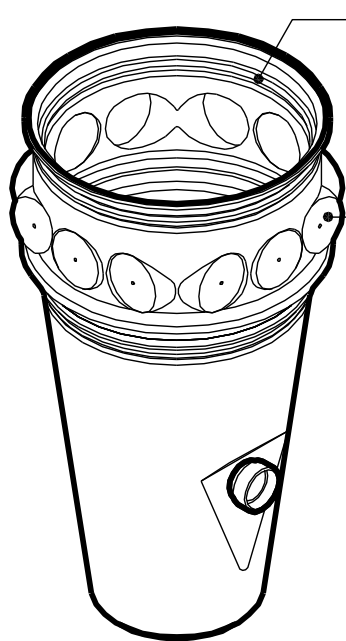


# ISOMETRIC

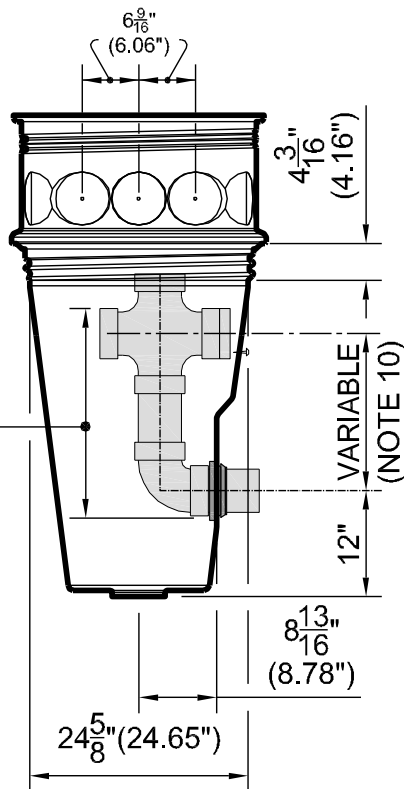


THREADED ACCESS OPENING  
24" I.D. DIA.

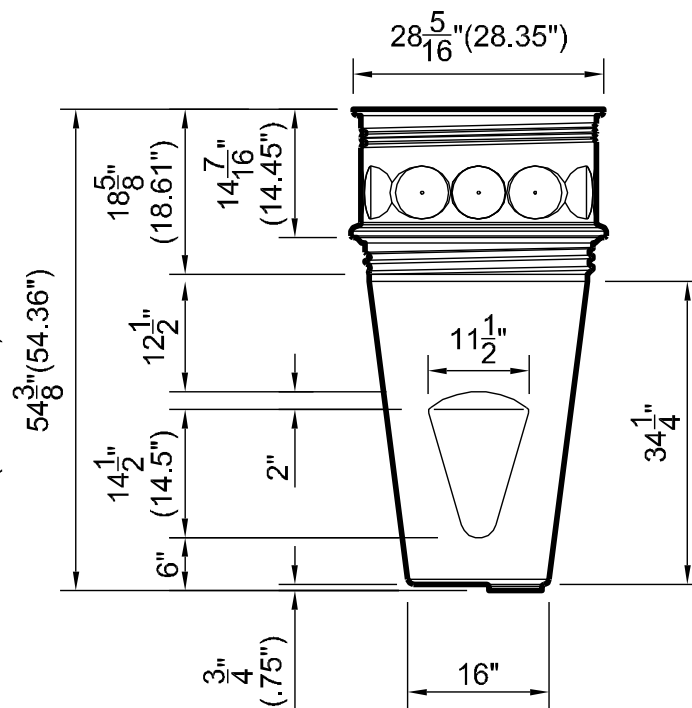
MULTI PORT  
OUTLETS

- (1) 4" ASTM C923 WATERTIGHT SEAL
- (1) 4" PVC SCH 40 S. RADIUS ELBOW
- (1) 4" PVC SCH 40 CROSS
- (1) 4" PVC SCH 40 PIPE -  
LENGTH = 48.00"
- (1) 4" PVC SCH 40 CAP
- (1) 1.5"-14 ST. STL. SQUARE DRIVE  
SCREWS
- (1) 4" PVC SCH 40 S. RADIUS ELBOW
- (1) 4" PVC SCH 40 PIPE STUB -  
LENGTH = 4.0"

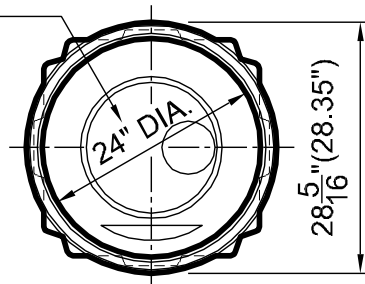
# ELEVATION



# ELEVATION



THREADED  
ACCESS  
OPENING  
24" I.D. DIA.



**TOP**



## VAULT NOTES

1. Access at or above grade level must be secured against unauthorized access.
2. Pump Vault is not rated for vehicular traffic loading.
3. Primary dimensions are in inches.
4. For use with 750 to 1,500 Gal. Septic tanks.
5. Filtered outlet/inlet elevation determined by system sizing/reserve requirements.

DWG SCALE: 1:1

PLOT SCALE: 1:2

SHEET #:  
1 OF 1

**ROTH HANGING PUMP VAULT®**  
**MODEL: STAR 24 HPV**

