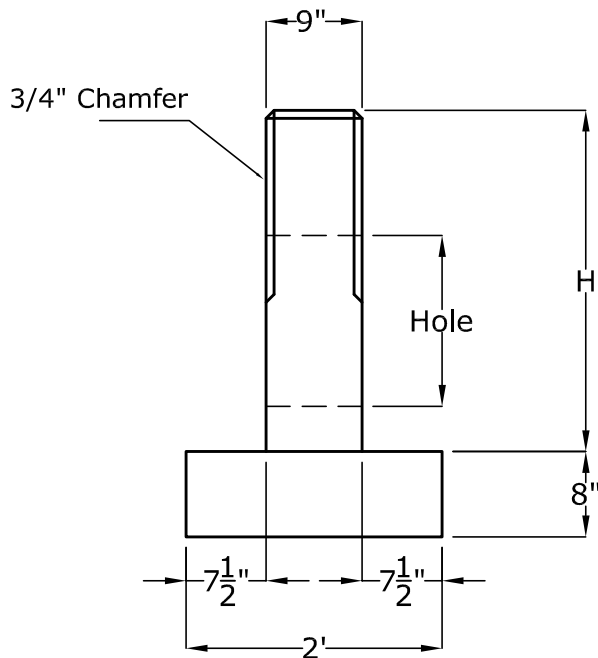


FRONT ELEVATION  
SINGLE HEADWALL



SECTION  
SINGLE HEADWALL

PIPE (I.D.)	H	L	CU.YD.
12"	2' - 8"	5' - 0"	0.60
15"	2' - 11"	6' - 0"	0.75
18"	3' - 2"	7' - 0"	0.91
21"	3' - 5"	7' - 6"	1.02
24"	3' - 8"	8' - 6"	1.20
27"	3' - 11"	9' - 6"	1.39
30"	4' - 2"	10' - 0"	1.52
33"	4' - 5"	11' - 0"	1.73
36"	4' - 8"	12' - 0"	1.95
39"	4' - 11"	12' - 6"	2.09
42"	5' - 2"	13' - 6"	2.34
45"	5' - 5"	14' - 6"	2.60
48"	5' - 8"	15' - 0"	2.75
51"	5' - 11"	16' - 0"	3.03
54"	6' - 2"	17' - 0"	3.31

NOTES:

1. Straight Headwalls in compliance with 2006 Caltrans Standard Plan D89.



1625 E. DONOVAN RD., STE. C  
SANTA MARIA, CA 93454  
PH: (805) 928-2855  
FAX: (805) 928-2114  
www.midstateconcrete.com

**SINGLE STRAIGHT  
HEADWALLS**