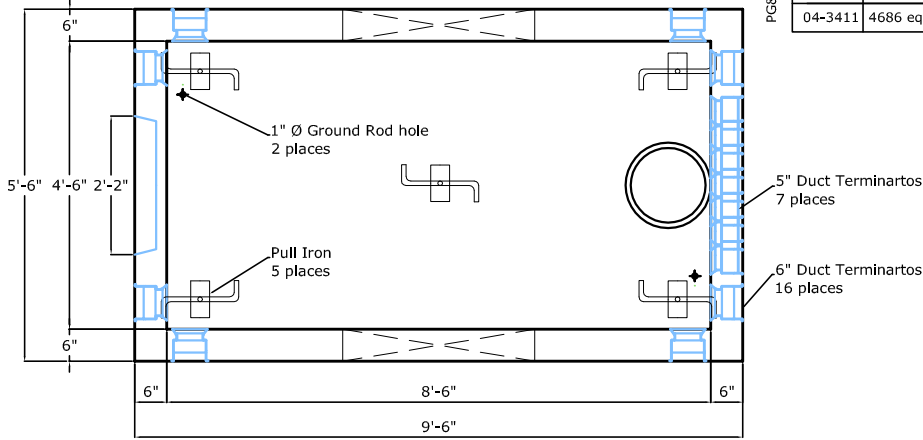


SELECTION CHART

Reference Assembly Code on the left to determine component structures.

PG&E ASSEMBLY CODES	HEAVY FULL TRAFFIC ENCLOSURES						assembly weight
	04-1439	4686 3 ϕ duplex transformer	X	X	X	X	X
04-0324	4686 UCD transformer HVT	X	X	X	X	X	23,475#
04-1441	4686 equip/splice HVT	X	X	X	X	X	23,520#
INCIDENTAL TRAFFIC ENCLOSURES							
04-3371	4686 3 ϕ duplex transformer	X	X	X	X	X	17,500#
04-0325	4686 UCD transformer	X	X	X	X	X	17,500#
04-3411	4686 equip/splice	X	X	X	X	X	17,500#



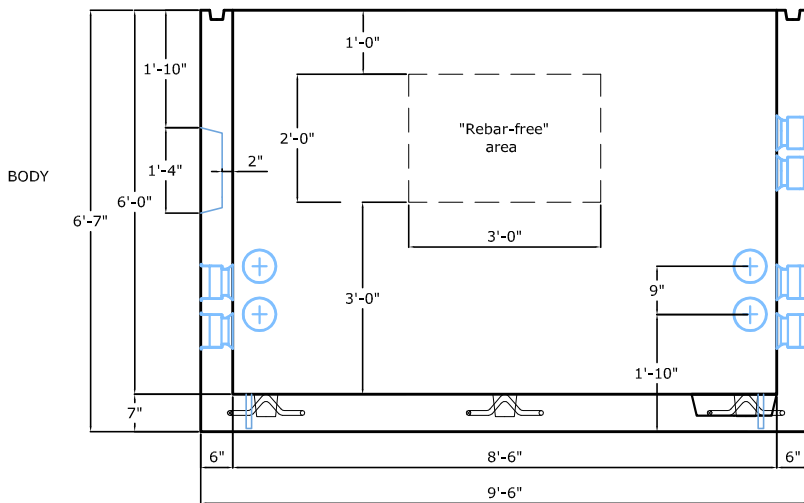
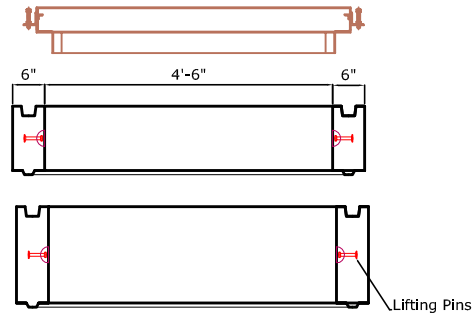
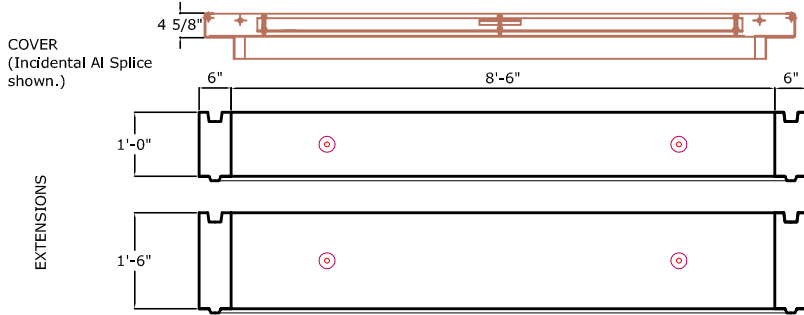
PLAN VIEW

component weights:

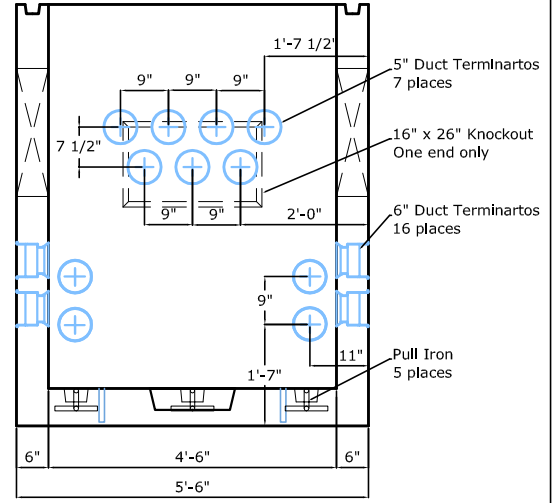
PG&E ASSEMBLY CODES	16'850#	650#	650#	4425#	4470#	2200#	3300#
04-3376	4'-6" x 8'-6" x 72" body						
04-0642	Incidental AL SPLICE cover						
03-1830	Incidental AL TRANSFORMER cover						
04-1442	HFT CONCRETE TRANSFORMER cover						
04-1443	HFT CONCRETE EQUIPMENT cover						
04-3415	Extension, 12" Depth						
04-3377	Extension, 18" Depth						

BODY **COVERS** **EXT.**

COMPONENT STRUCTURES



FRONT ELEVATION



SIDE ELEVATION



1625 E. DONOVAN RD., STE. C
 SANTA MARIA, CA 93454
 PH: (805) 928-2855
 FAX: (805) 928-2114
 www.midstateconcrete.com

PG&E # 7
4' 6" x 8' 6" ENCLOSURE
AND EXTENSIONS