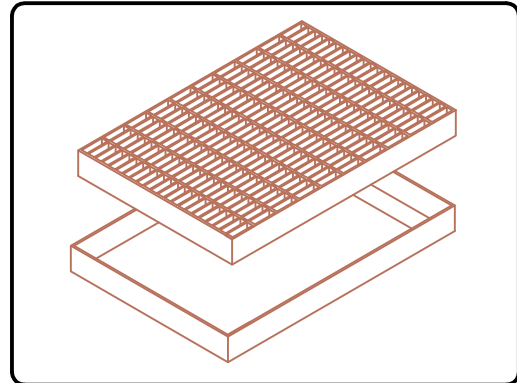
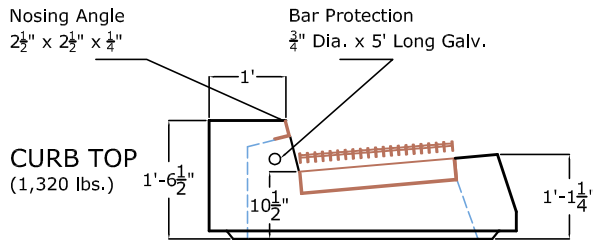


PLAN VIEW



"Bicycle Proof"  
STEEL GRATE & FRAME Type 24-13  
Traffic and Non Traffic available



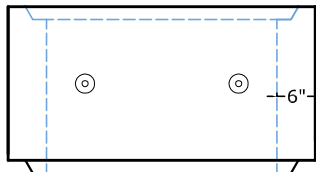
CURB TOP  
(1,320 lbs.)

RISER  
(1,050 lbs./ft.)

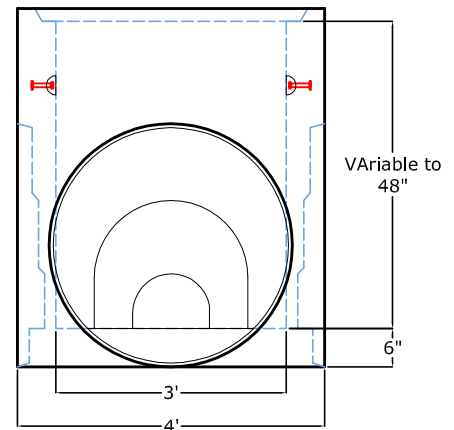
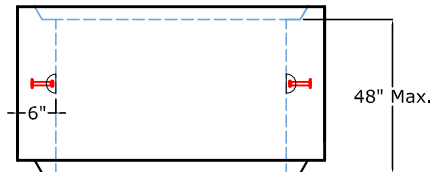
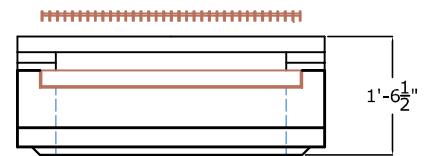
2t x 3 3/8  
Lifting Pins

Standard  
Knockout  
1 each side  
Max. 32"  
Min. 12"

BASE  
(1,200 lbs. +  
1,050 lbs./ft.)



SIDE WALL ELEVATION



FRONT WALL ELEVATION

NOTES:

1. Heights shown above are nominal dimensions. Actual dimensions vary to allow a 1/2" mortar or sealant joint.



1625 E. DONOVAN RD., STE. C  
SANTA MARIA, CA 93454  
PH: (805) 928-2855  
FAX: (805) 928-2114  
www.midstateconcrete.com

**E-8 CURB INLET**  
**City of Paso Robles**