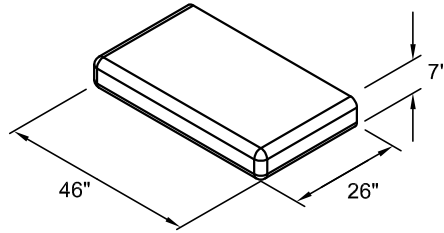


7" Steps - Finished on Three Sides

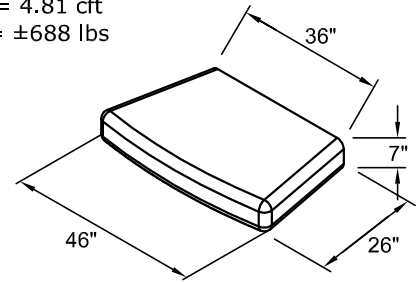
3-Sided Straight Step

Volume = 4.58 cft
Weight = ±655 lbs



4-Sided 6" Cap Block

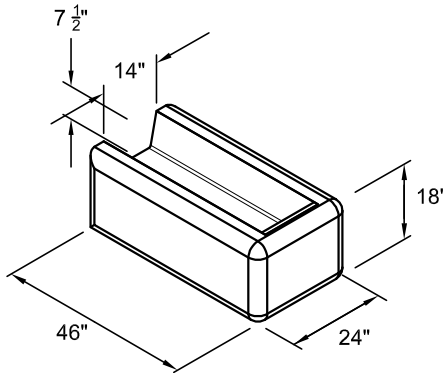
Volume = 4.81 cft
Weight = ±688 lbs



Corner Block Finished on Three Sides Perimeter Free-Standing Series

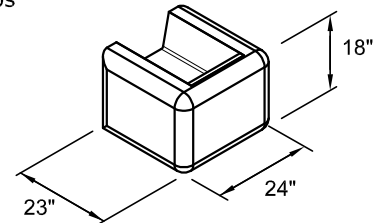
Garden Corner

Volume = 8.26 cft
Weight = ±1182 lbs



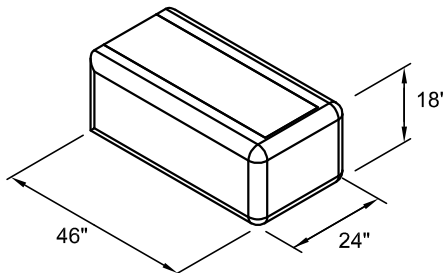
Half Garden Corner

Volume = 4.25 cft
Weight = ±607 lbs



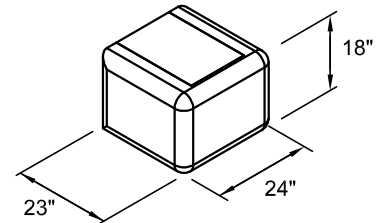
Top Corner

(available with textured top)
Volume = 10.44 cft
Weight = ±1493 lbs



Half Top Corner

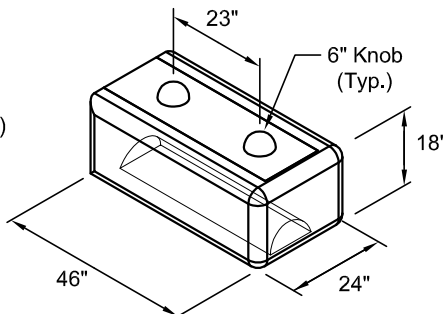
(available with textured top)
Volume = 5.19 cft
Weight = ±742 lbs



Middle Corner

Volume = 10.51 cft
Weight = ±1502 lbs

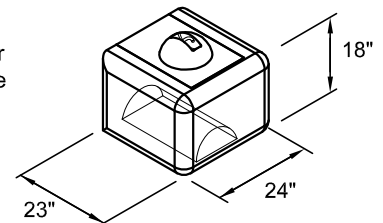
(Bottom Corner Block does not have groove)



Half Middle Corner

Volume = 5.28 cft
Weight = ±755 lbs

(Half Bottom Corner Block does not have groove)



REV. 09/07

MID STATE
Concrete Products
Santa Maria, Ca

1625 E. DONOVAN RD., STE. C
SANTA MARIA, CA 93454
PH: (805) 928-2855
FAX: (805) 928-2114
www.midstateconcrete.com

REDI ROCK
REAINING
BLOCKS

