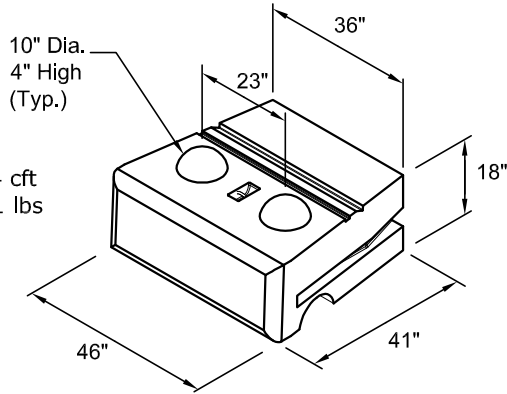


41" Series Blocks

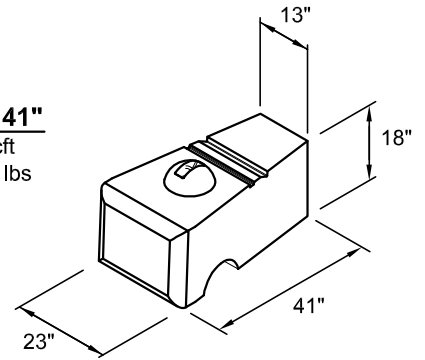
Middle - 41"

Volume = 16.44 cft
Weight = ±2351 lbs
C of G = 20.92"



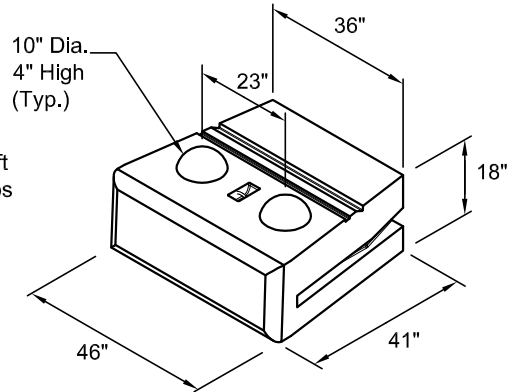
Half Middle - 41"

Volume = 7.28 cft
Weight = ±1041 lbs



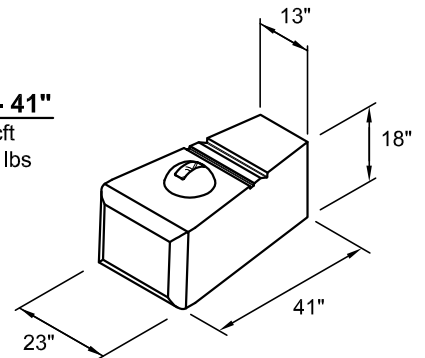
Bottom - 41"

Volume = 17.37 cft
Weight = ±2483 lbs
C of G = 21.3"



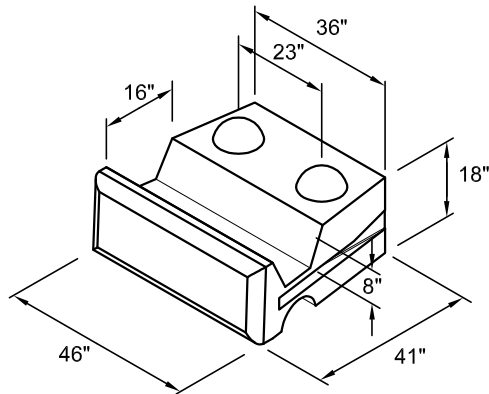
Half Bottom - 41"

Volume = 7.73 cft
Weight = ±1105 lbs



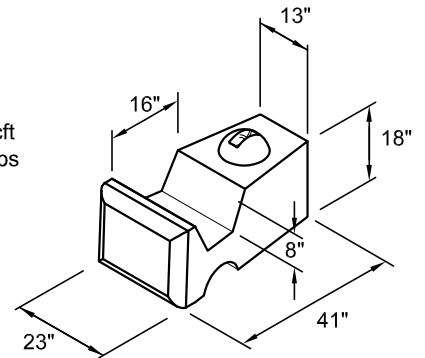
Planter

Volume = 14.12 cft
Weight = ±2020 lbs
C of G = 19.35"



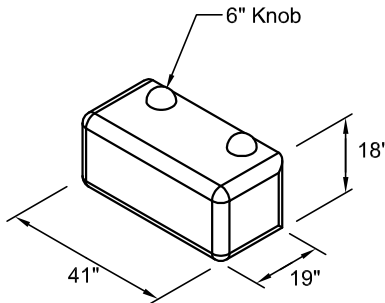
Half Planter

Volume = 6.23 cft
Weight = ±890 lbs



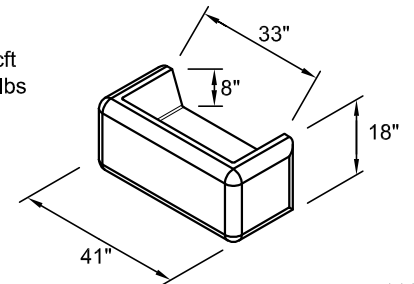
End Middle

Volume = 7.25 cft
Weight = ± 1037 lbs



End Top

Volume = 5.30 cft
Weight = ± 759 lbs



End Bottom

Volume = 8.01 cft
Weight = ± 1146 lbs

REV. 09/07

MID STATE
Concrete Products
Santa Maria, Ca

1625 E. DONOVAN RD., STE. C
SANTA MARIA, CA 93454
PH: (805) 928-2855
FAX: (805) 928-2114
www.midstateconcrete.com

REDI ROCK
RETAINING
BLOCKS

