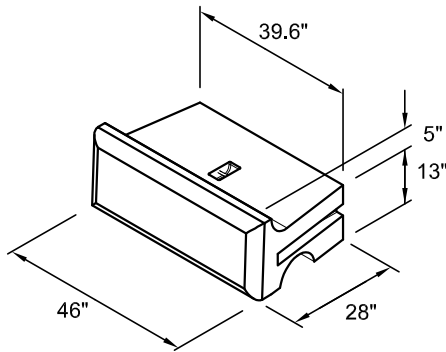


28" Series Blocks

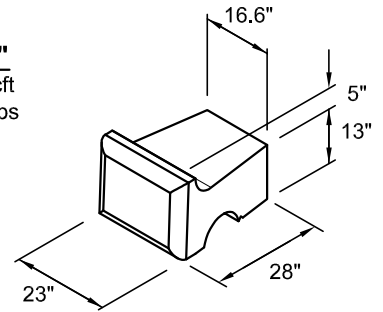
Top - 28"

Volume = 8.55 cft
 Weight = ±1223 lbs
 C of G = 15.06"



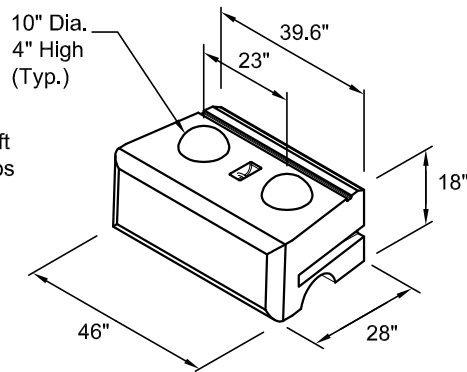
Half Top - 28"

Volume = 4.13 cft
 Weight = ±591 lbs



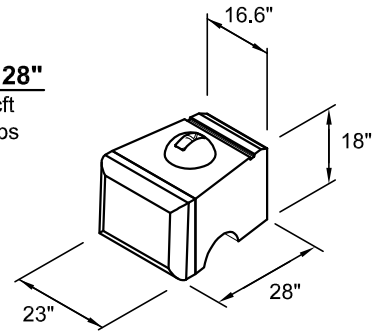
Middle - 28"

Volume = 11.40 cft
 Weight = ±1630 lbs
 C of G = 14.18"



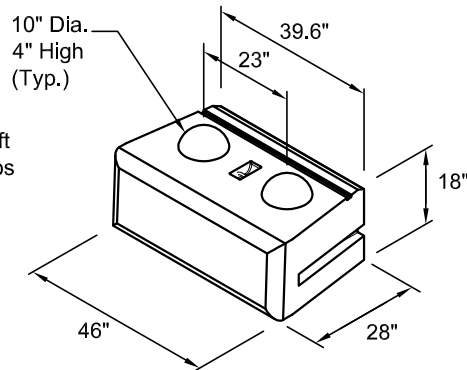
Half Middle - 28"

Volume = 5.34 cft
 Weight = ±764 lbs



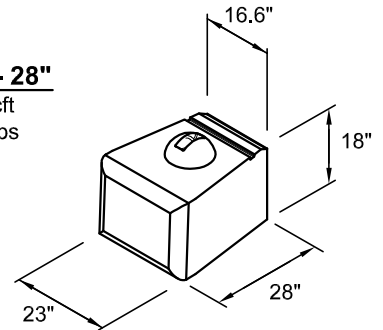
Bottom - 28"

Volume = 12.36 cft
 Weight = ±1768 lbs
 C of G = 14.23"



Half Bottom - 28"

Volume = 5.79 cft
 Weight = ±827 lbs



NOTES:

Volume and Center of Gravity (C of G) calculations are based on the blocks as shown.

Center of Gravity is measured from the back of the block.

Half blocks include a fork lift slot on one side.

Actual weights and volumes will may vary.

REV. 09/07



1625 E. DONOVAN RD., STE. C
 SANTA MARIA, CA 93454
 PH: (805) 928-2855
 FAX: (805) 928-2114
 www.midstateconcrete.com

REDI ROCK
RETAINING
BLOCKS

