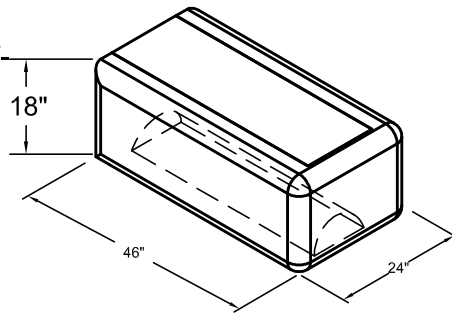


Perimeter Free-Standing Corners (Finished on three sides)

Corner

Top - Textured

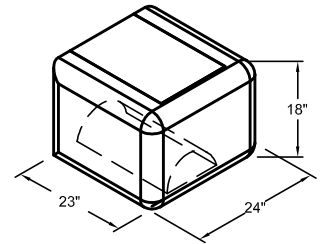
(or smooth for cap)
Volume = 10.44 Cft
Weight = 1493 Lbs +/-



Half Corner

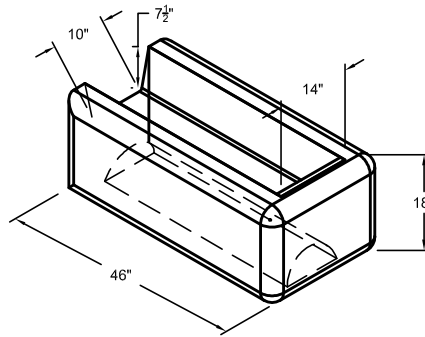
Top Half - Textured

(or smooth for cap)
Volume = 5.18 Cft
Weight = 741 Lbs +/-



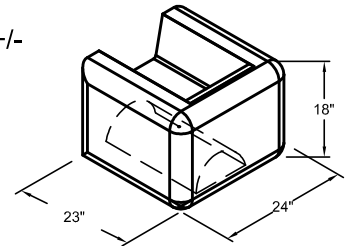
Top Garden

Volume = 8.26 Cft
Weight = 1182 Lbs +/-



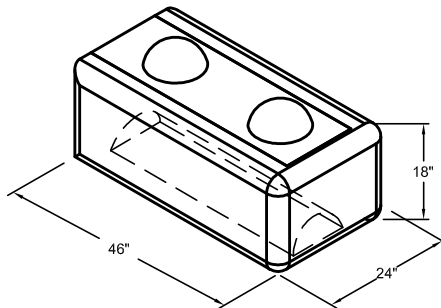
Top Half Garden

Volume = 4.25 Cft
Weight = 607 Lbs +/-



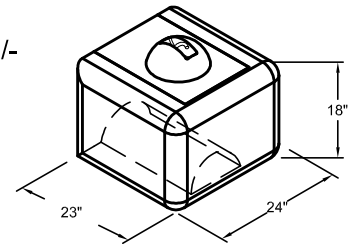
Middle

Volume = 10.73 Cft
Weight = 1534 Lbs +/-
(note: use also as bottom)



Middle Half

Volume = 5.28 Cft
Weight = 755 Lbs +/-
(note: use also as bottom)



REV. 09/07

MID STATE
Concrete Products
Santa Maria, Ca

1625 E. DONOVAN RD., STE. C
SANTA MARIA, CA 93454
PH: (805) 928-2855
FAX: (805) 928-2114
www.midstateconcrete.com

REDI ROCK
FREE-STANDING
BLOCKS

