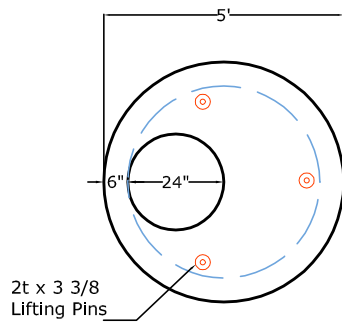


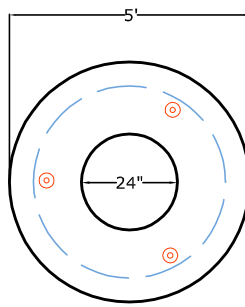
FLAT TOP OPTIONS



2t x 3 3/8
Lifting Pins

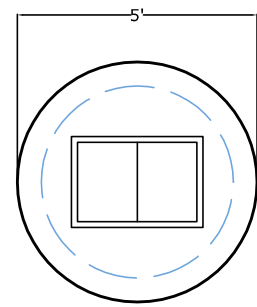
Eccentric Flat Top

24"Ø Opening Standard
Other sizes available

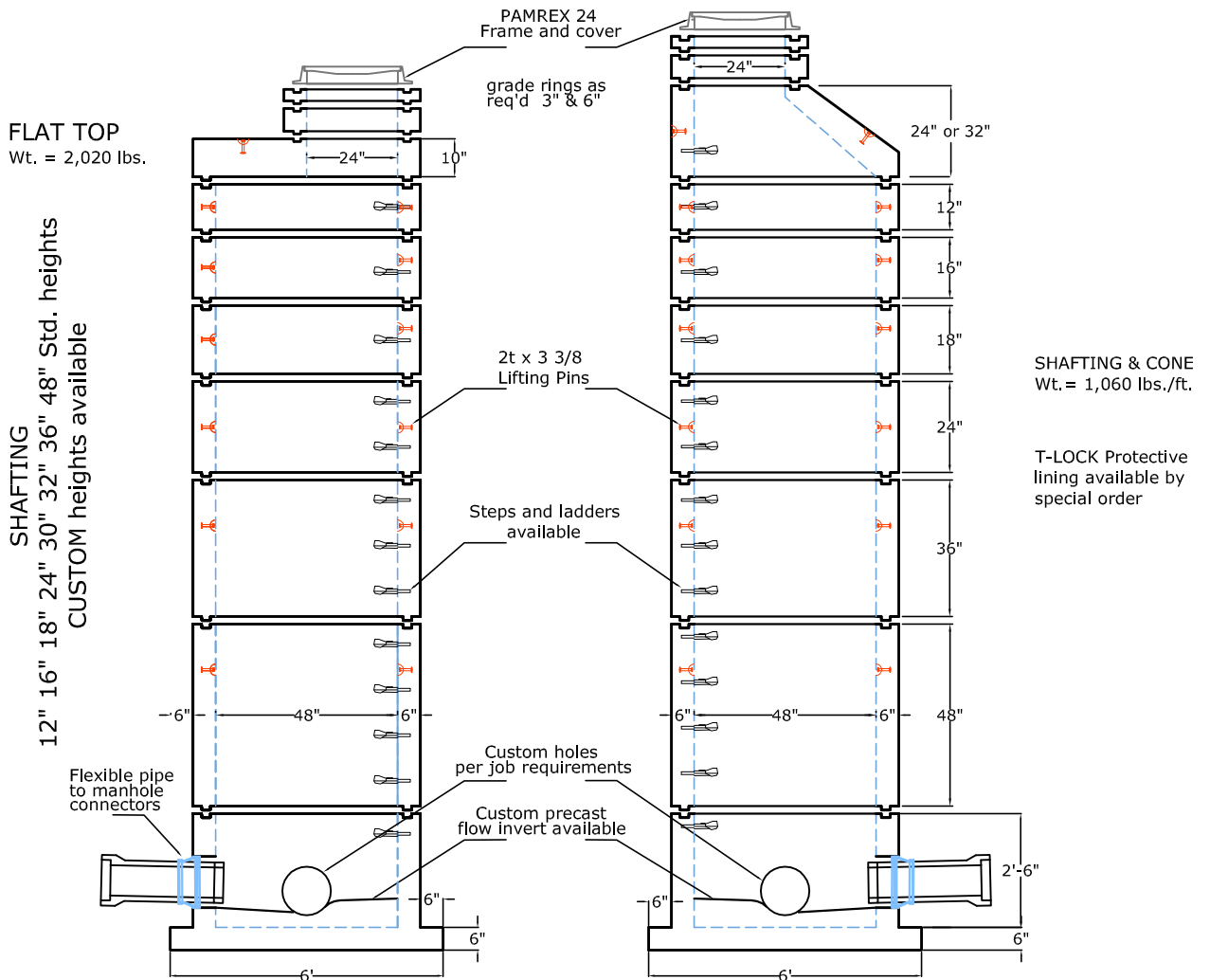


Concentric Flat Top

24"Ø Opening Standard
Other sizes available



CUSTOM Configurations available



FLAT TOP
Wt. = 2,020 lbs.

SHAFTING
12" 16" 18" 24" 30" 32" 36" 48" Std. heights
CUSTOM heights available

SHAFTING & CONE
Wt. = 1,060 lbs./ft.

T-LOCK Protective
lining available by
special order

EXT. BASE

Sanitary Sewer Wt. = 6,400 lbs.
Storm Drain Wt. = 5,780 lbs.

ELEVATION VIEW

MID STATE
Concrete Products
Santa Maria, Ca

1625 E. DONOVAN RD., STE. C
SANTA MARIA, CA 93454
PH: (805) 928-2855
FAX: (805) 928-2114
www.midstateconcrete.com

48' SEWER MANHOLE
CITY OF PASO ROBLES

REV. 09/07