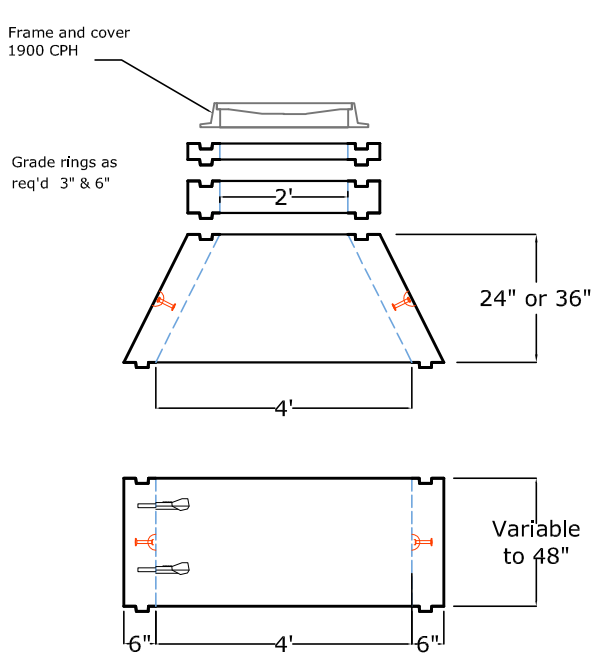
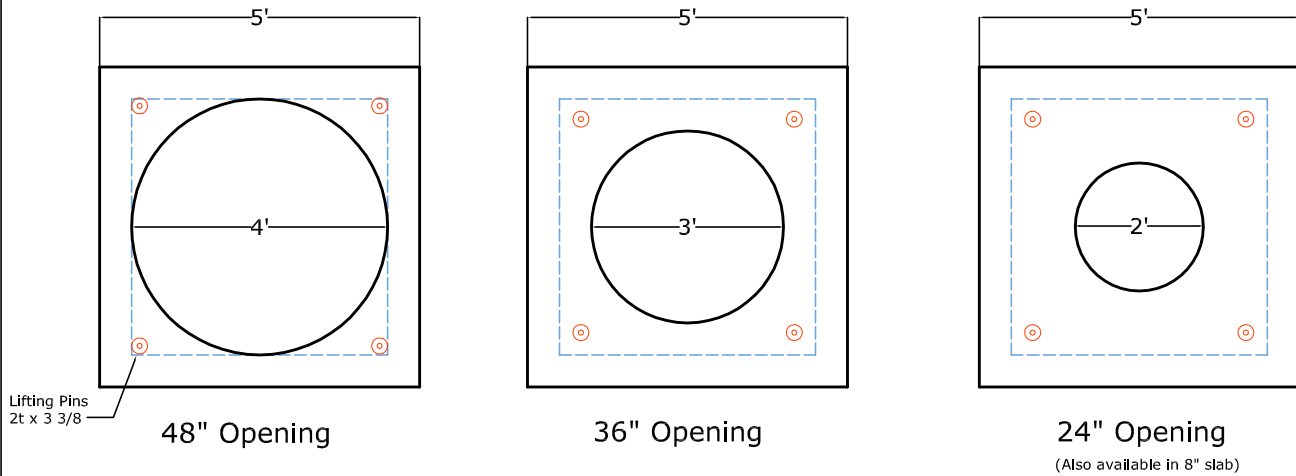
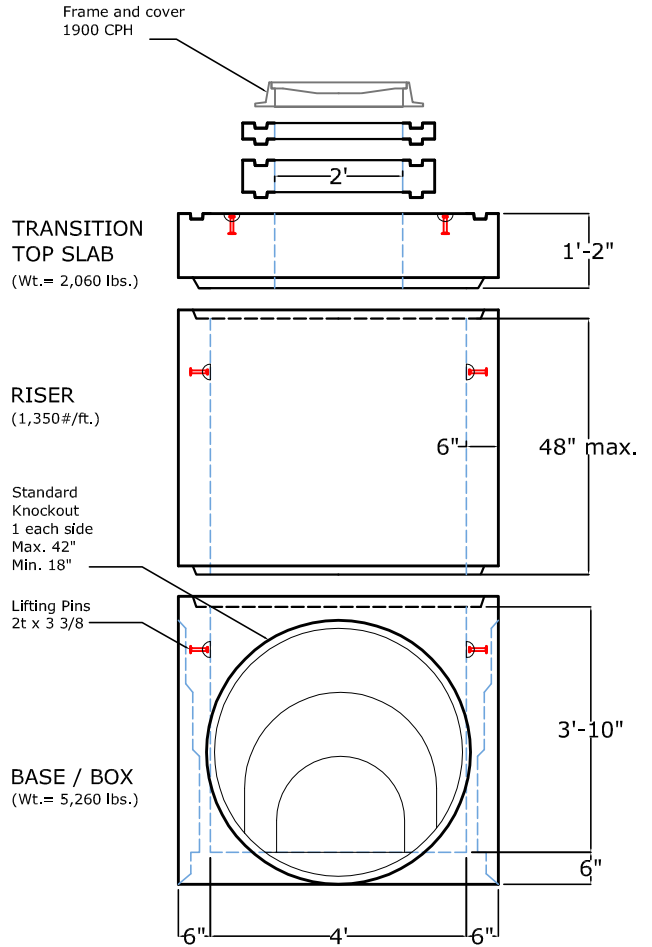


TRANSITION TOP OPTIONS



SHAFTING &
CONCENTRIC CONE
available
Wt. = 1,060 lbs./ft.



ELEVATION VIEW



1625 E. DONOVAN RD., STE. C
SANTA MARIA, CA 93454
PH: (805) 928-2855
FAX: (805) 928-2114
www.midstateconcrete.com

**48" x 48' STORM DRAIN
MANHOLE
CITY OF PASO ROBLES**