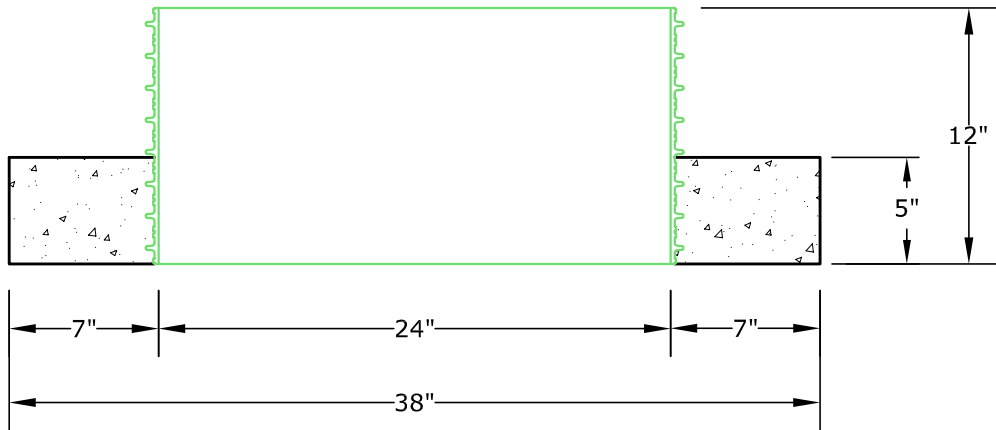


ISOMETRIC



PLAN VIEW

Reducer Ring 38"/22"  
Weight: 325 lbs.

**MID STATE**  
*Concrete Products*  
Santa Maria, Ca

1625 E. DONOVAN RD., STE. C  
SANTA MARIA, CA 93454  
PH: (805) 928-2855  
FAX: (805) 928-2114  
www.midstateconcrete.com

**CONCRETE REDUCER**  
**RING 38" - 22"**  
**w/ ULTRA RIB PIPE**