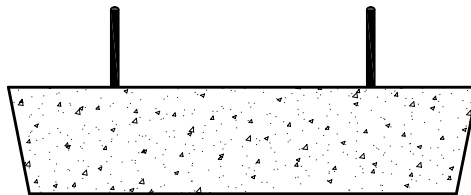
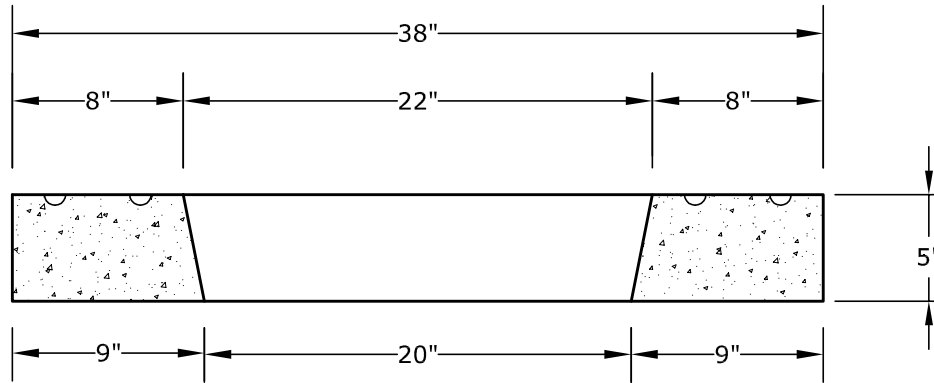


ISOMETRIC



Concrete Tank Cover 22"
Clear Opening 20"



PLAN VIEW

Interceptor 38"/22"
Weight: 325 lbs.



1625 E. DONOVAN RD., STE. C
SANTA MARIA, CA 93454
PH: (805) 928-2855
FAX: (805) 928-2114
www.midstateconcrete.com

CONCRETE REDUCER
RING 38" - 22"