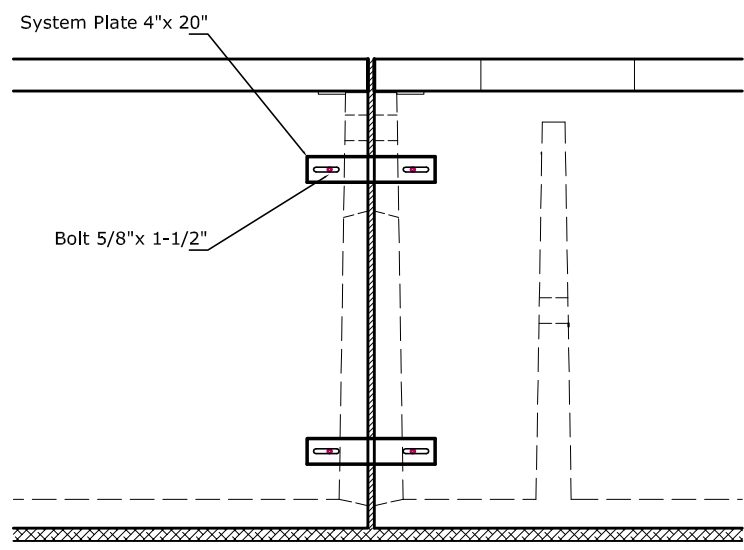
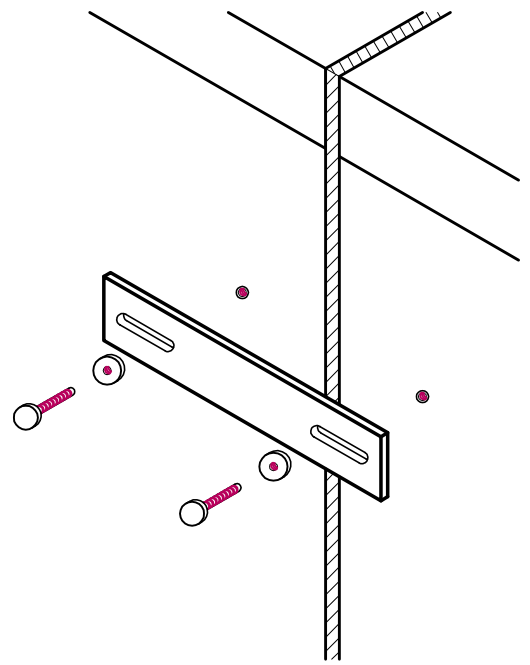


PLAN VIEW



LONGITUDINAL VIEW



ISOMETRIC



1625 E. DONOVAN RD., STE. C
 SANTA MARIA, CA 93454
 PH: (805) 928-2855
 FAX: (805) 928-2114
 www.midstateconcrete.com

BATTERY TANKS
ASSEMBLY

REV. 09/07