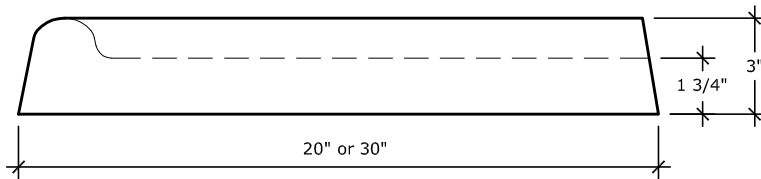
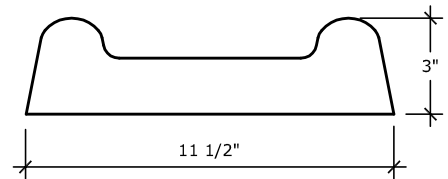


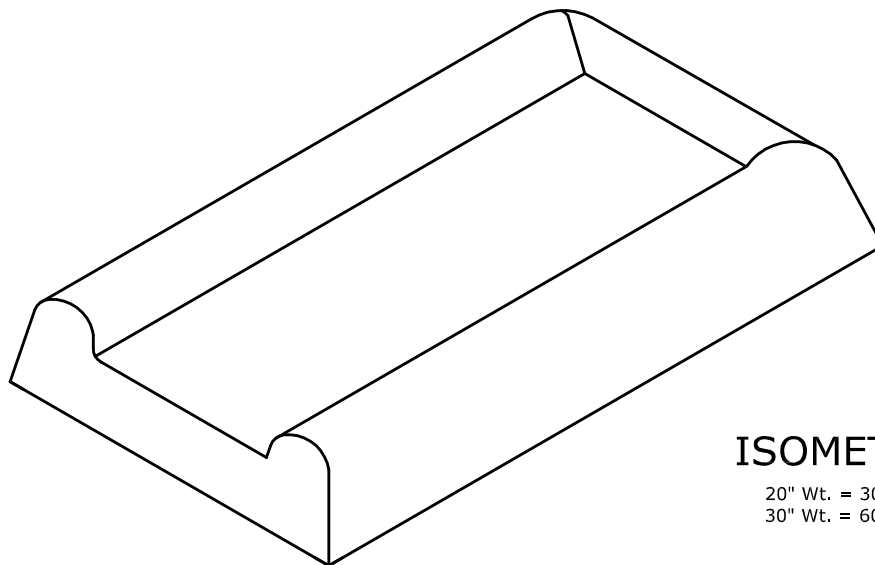
TOP VIEW



SIDE VIEW



END VIEW



ISOMETRIC

20" Wt. = 30 lbs.
 30" Wt. = 60 lbs.



1625 E. DONOVAN RD., STE. C
 SANTA MARIA, CA 93454
 PH: (805) 928-2854
 FAX: (805) 928-2114
 www.midstateconcrete.com

PRECAST CONCRETE
SPLASH BLOCK

REV. 07/08