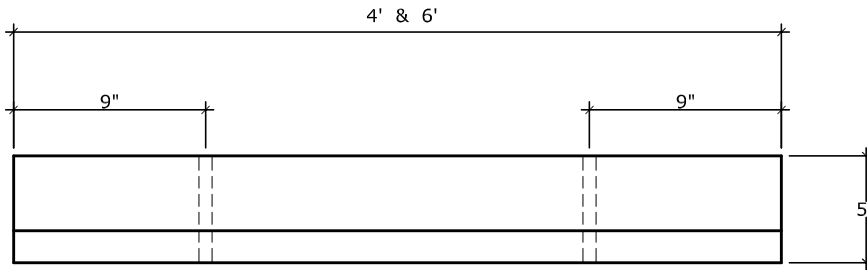
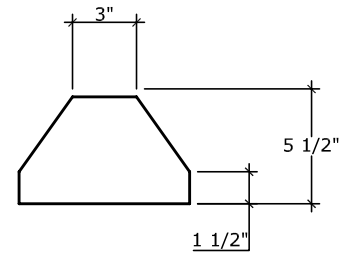


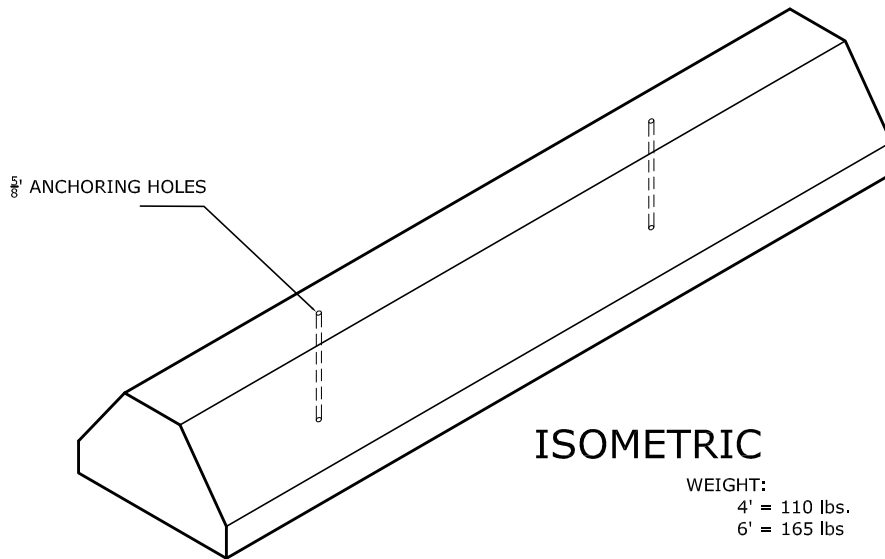
TOP VIEW



FRONT VIEW



SIDE VIEW



ISOMETRIC

WEIGHT:
 4' = 110 lbs.
 6' = 165 lbs



1625 E. DONOVAN RD., STE. C
 SANTA MARIA, CA 93454
 PH: (805) 928-2855
 FAX: (805) 928-2114
 www.midstateconcrete.com

**PRECAST CONCRETE
 PARKING LOT BUMPERS**

REV. 09/07