

2t x 3 3/8
Lifting Pins

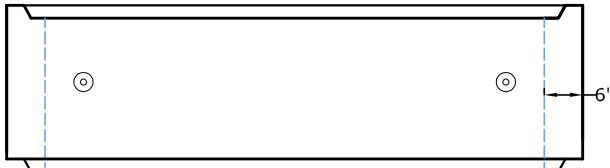
PLAN VIEW

Galv. angle frame cast
into top sections

TOP
(1,575#/ft.)



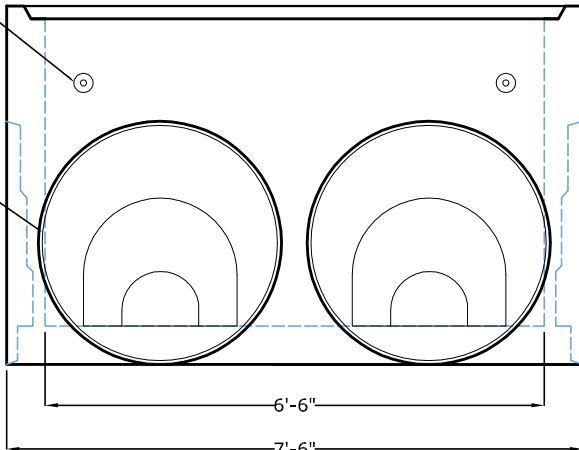
RISER
(1,575#/ft.)



2t x 3 3/8
Lifting Pins

Standard
Knockout
2 ea. side wall
and
1 ea. end wall
Max. 32"
Min. 12"

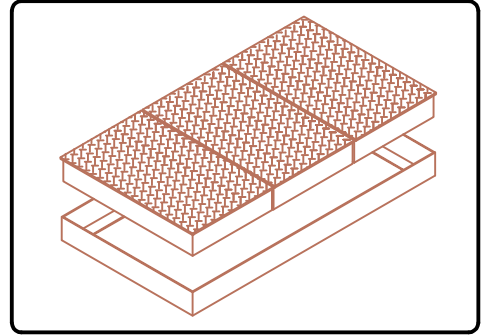
BASE
(2,250# +
1,575#/ft.)



SIDE WALL
SECTION

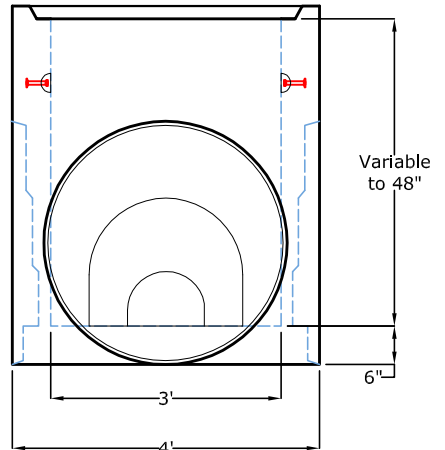
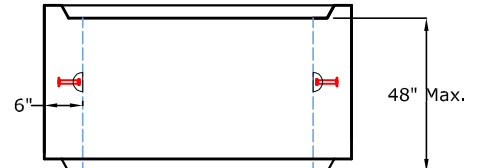
CATCH BASINS ARE AVAILABLE
WITH CUSTOM HOLES WHERE
REQUIRED AND VARIABLE
HEIGHTS.

COVER AND GRATE
OPTIONS



CATCH BASINS are available with the following
COVER and GRATE options:

1. Traffic and Non-Traffic grates.
2. ADA and Bicycle proof Traffic grates.
3. Galv. steel solid Traffic and Non-Traffic covers.



END WALL
SECTION

NOTES:
1. Heights shown are
nominal dimensions.
Actual dimensions vary
to allow a 1/2" mortar or
sealant joint.



1625 E. DONOVAN RD., STE. C
SANTA MARIA, CA 93454
PH: (805) 928-2855
FAX: (805) 928-2114
www.midstateconcrete.com

36" x 78"
CATCH BASIN

REV. 09/07