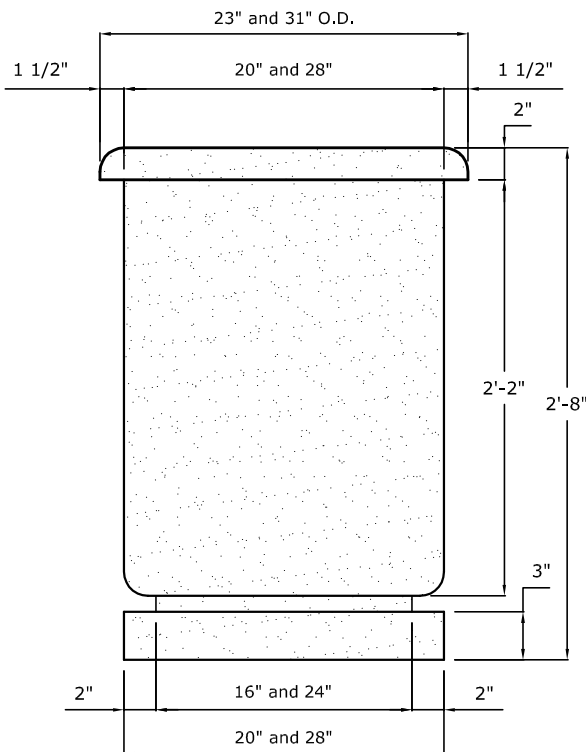
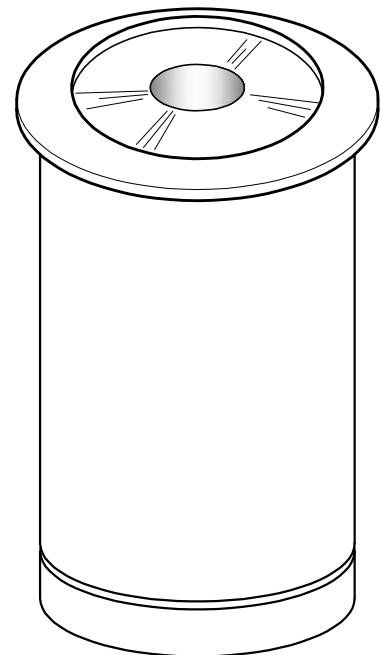


TOP VIEW



FRONT VIEW



ISOMETRIC

3225 Westside 20 Gallons Wt: 425 lbs.
 3231 Westside 30 Gallons Wt: 820 lbs.



1625 E. DONOVAN RD., STE. C
 SANTA MARIA, CA 93454
 PH: (805) 928-2855
 FAX: (805) 928-2114
 www.midstateconcrete.com

**WESTSIDE
 TRASH RECEPTACLE
 PRECAST CONCRETE**

REV. 09/07