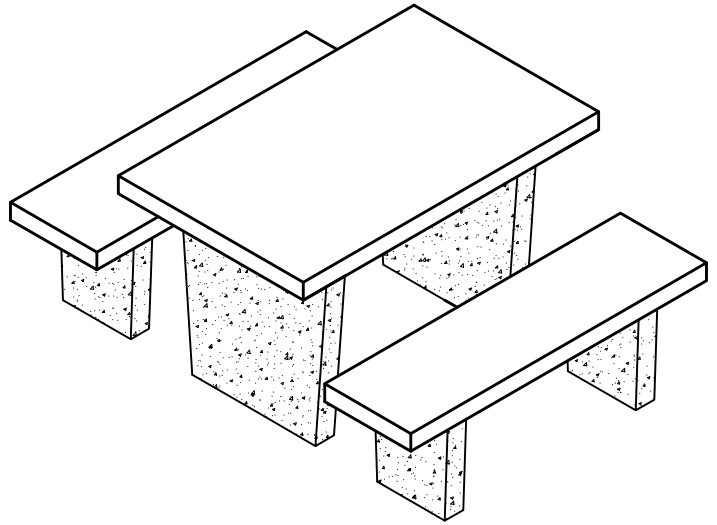
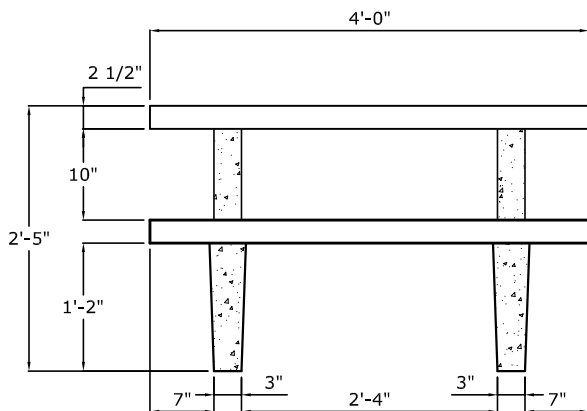


TOP VIEW

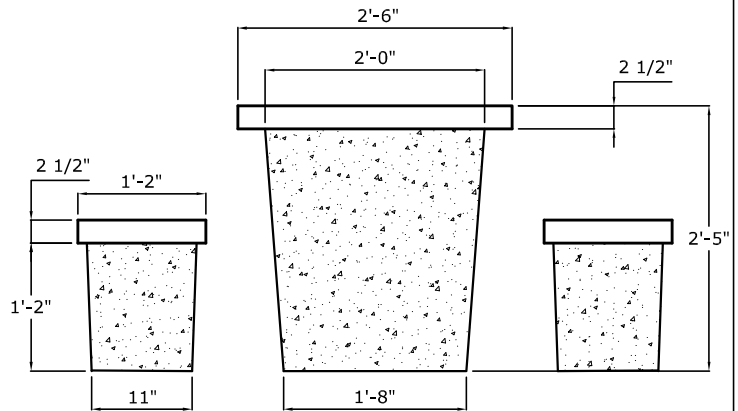


ISOMETRIC

Wt: 1,060 lbs.



FRONT VIEW



SIDE VIEW



1625 E. DONOVAN RD., STE. C
 SANTA MARIA, CA 93454
 PH: (805) 928-2855
 FAX: (805) 928-2114
 www.midstateconcrete.com

**3048 MESA TABLE AND
 BENCH SET
 PRECAST CONCRETE**

REV. 09/07