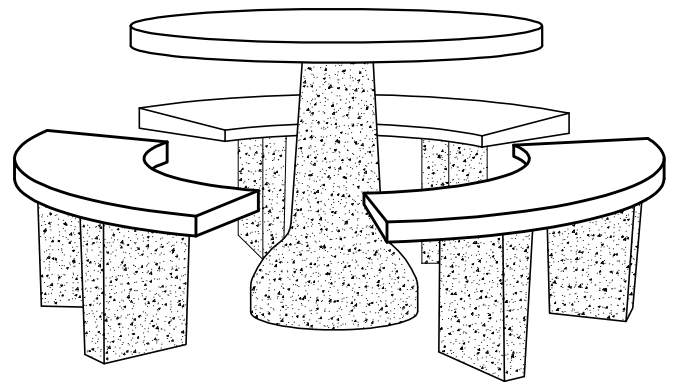
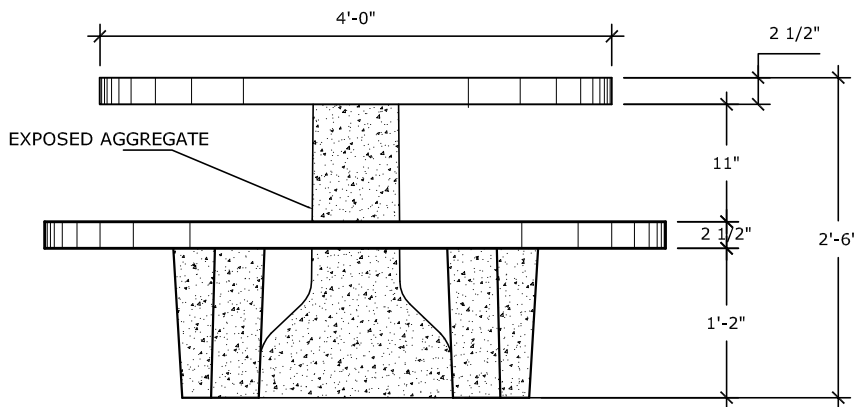


TOP VIEW



ISOMETRIC

Wt: 1,490 lbs.



FRONT VIEW



1625 E. DONOVAN RD., STE. C  
 SANTA MARIA, CA 93454  
 PH: (805) 928-2855  
 FAX: (805) 928-2114  
 www.midstateconcrete.com

**0048 CIMARRON TABLE  
 AND BENCH SET  
 PRECAST CONCRETE**

REV. 09/07