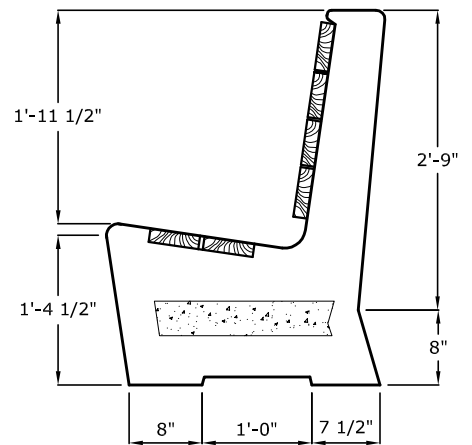
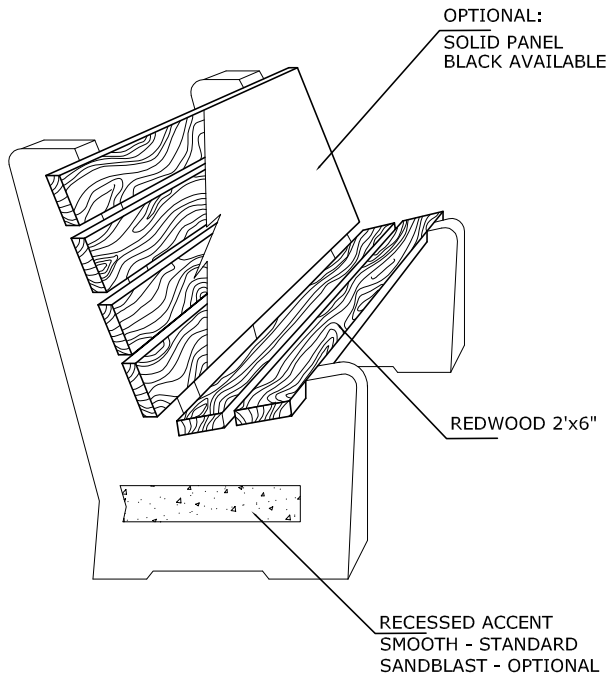


FRONT VIEW



SIDE VIEW



ISOMETRIC

Wt: 420 lbs.



1625 E. DONOVAN RD., STE. C  
 SANTA MARIA, CA 93454  
 PH: (805) 928-2855  
 FAX: (805) 928-2114  
 www.midstateconcrete.com

**4172 SEQUOIA BENCH**  
**with Redwood - PRECAST**  
**CONCRETE ENDS**

REV. 09/07