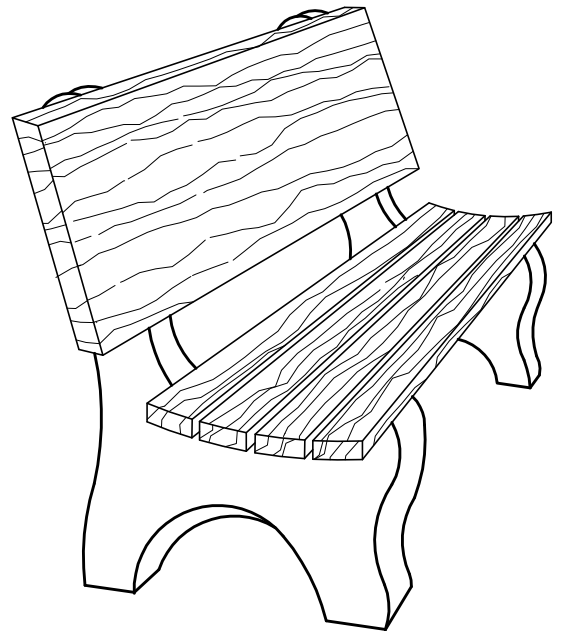


SIDE VIEW



ISOMETRIC

Wt: 200 lbs.

MID STATE
Concrete Products
Santa Maria, Ca

1625 E. DONOVAN RD., STE. C
SANTA MARIA, CA 93454
PH: (805) 928-2855
FAX: (805) 928-2114
www.midstateconcrete.com

4026 PATHWAY BENCH
PRECAST CONCRETE
ENDS

REV. 09/07