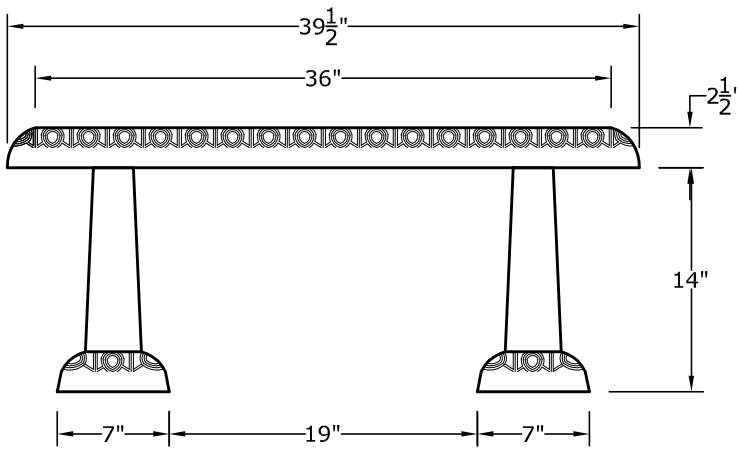
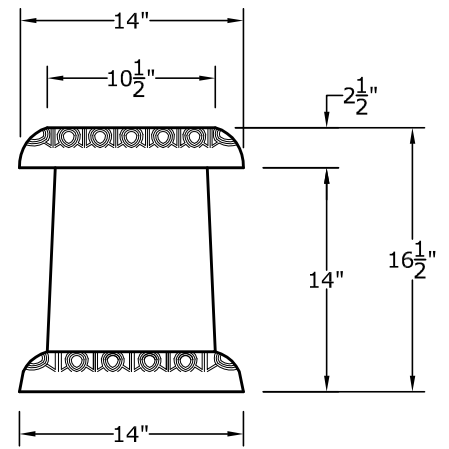


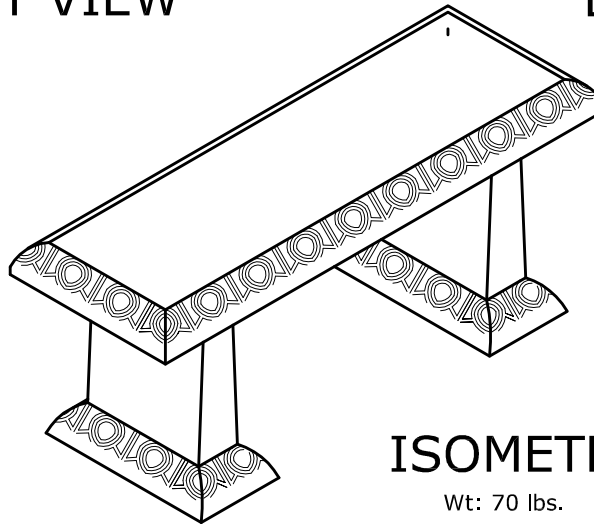
TOP VIEW



FRONT VIEW



END VIEW



ISOMETRIC

Wt: 70 lbs.



1625 E. DONOVAN RD., STE. C
 SANTA MARIA, CA 93454
 PH: (805) 928-2855
 FAX: (805) 928-2114
 www.midstateconcrete.com

GARDEN BENCH
PRECAST CONCRETE