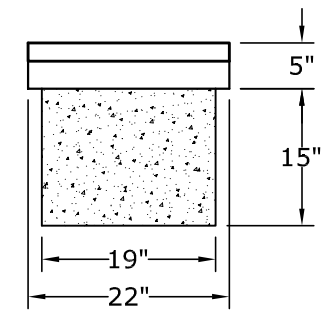
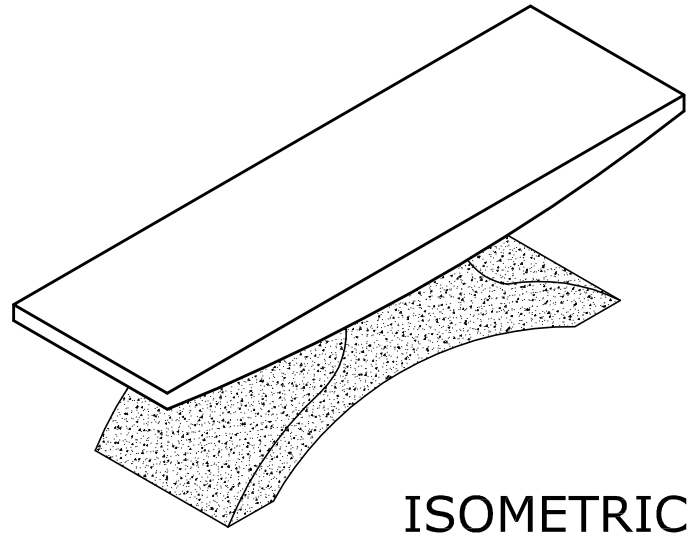


TOP VIEW

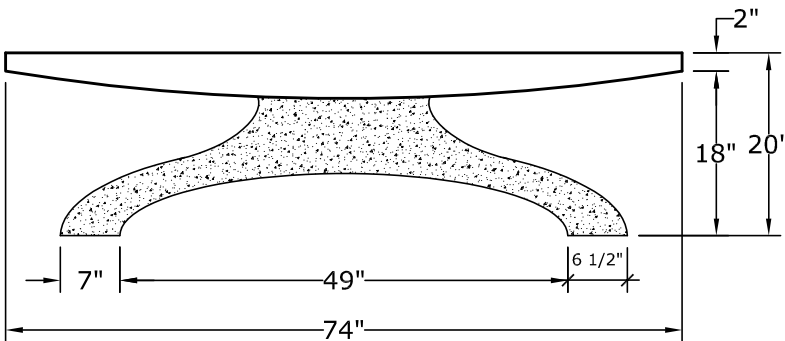


END VIEW



ISOMETRIC

Wt: 1,050 lbs.



FRONT VIEW

**MID STATE**  
Concrete Products  
Santa Maria, Ca

1625 E. DONOVAN RD., STE. C  
SANTA MARIA, CA 93454  
PH: (805) 928-2855  
FAX: (805) 928-2114  
www.midstateconcrete.com

**2074 ATLANTA BENCH**  
**PRECAST CONCRETE**

REV. 09/07