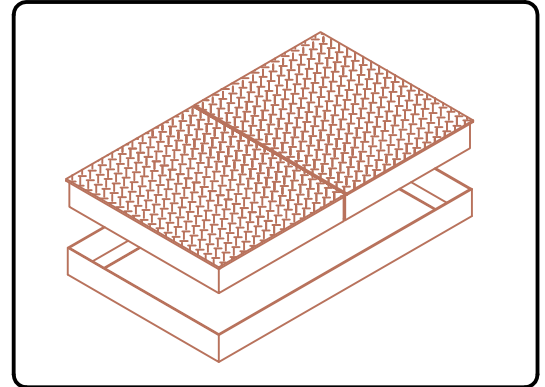


PLAN VIEW

2t x 3 3/8  
Lifting Pins

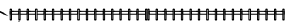
COVER AND GRATE  
OPTIONS



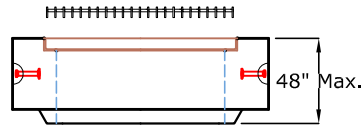
CATCH BASINS are available with the following COVER and GRATE options:

1. Traffic and Non-Traffic grates.
2. ADA and Bicycle proof Traffic grates.
3. Galv. steel solid Traffic and Non-Traffic covers.

Galv. angle frame cast  
into top sections

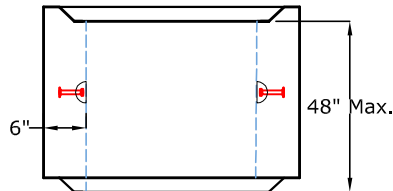
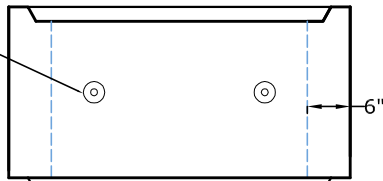


TOP  
(900#/ft.)

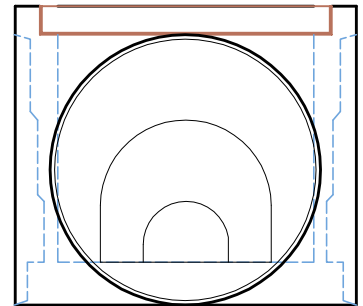
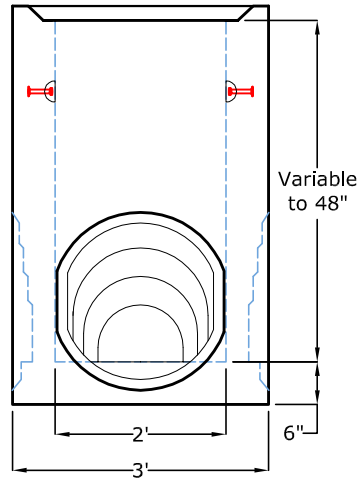
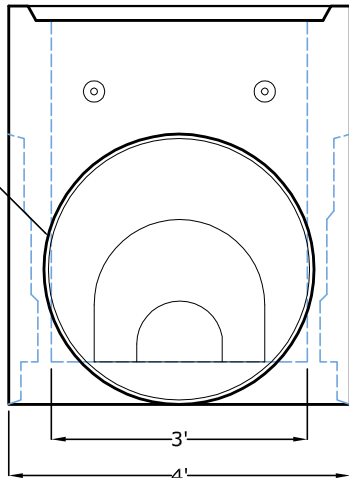


2t x 3 3/8  
Lifting Pins

RISER  
(900#/ft.)



Standard  
Knockout  
1 ea. side wall  
Max. 32"  
Min. 12"  
and  
1 ea. end wall  
Max. 19"  
Min. 8"



The "BOX" Option:

Catch Basin are available in a one piece "BOX" configuration, with the frame cast into the top of a one piece structure.

CATCH BASINS ARE AVAILABLE WITH CUSTOM HOLES WHERE REQUIRED AND VARIABLE HEIGHTS.

BASE  
(900# +  
900#/ft.)

SIDE WALL  
SECTION

END WALL  
SECTION

NOTES:

1. Heights shown are nominal dimensions. Actual dimensions vary to allow a 1/2" mortar or sealant joint.



1625 E. DONOVAN RD., STE. C  
SANTA MARIA, CA 93454  
PH: (805) 928-2854  
FAX: (805) 928-2114  
www.midstateconcrete.com

**24' x 36'**  
**CATCH BASIN**