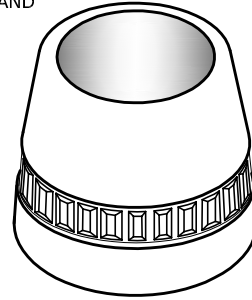
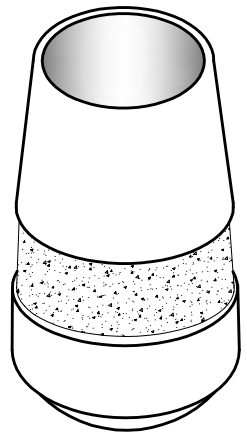


PL-1842 Wt: 995 lbs.  
 PL-1236 Wt: 460 lbs.  
 PL-2430 Wt: 690 lbs.  
 PL-3223 Wt: 419 lbs.

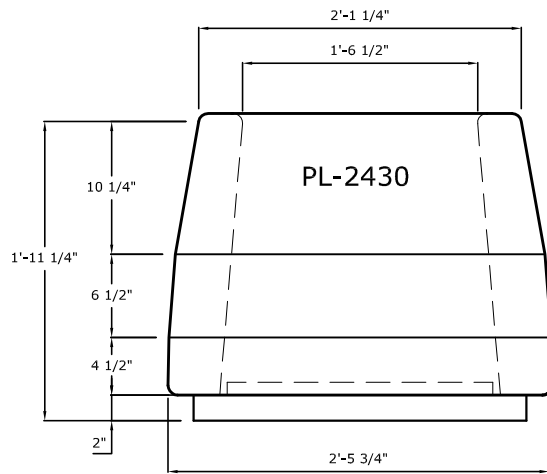
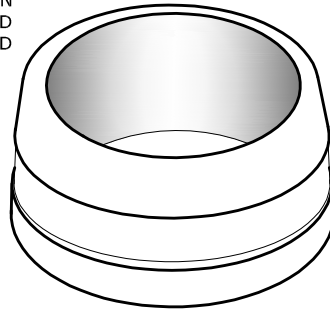
FLUTED BAND



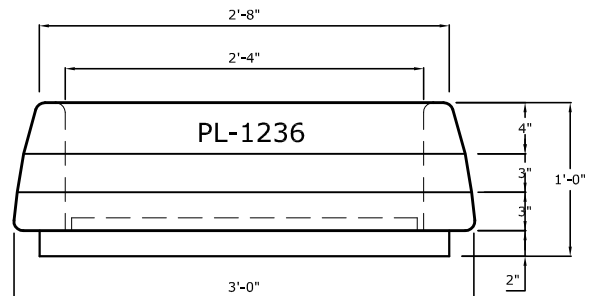
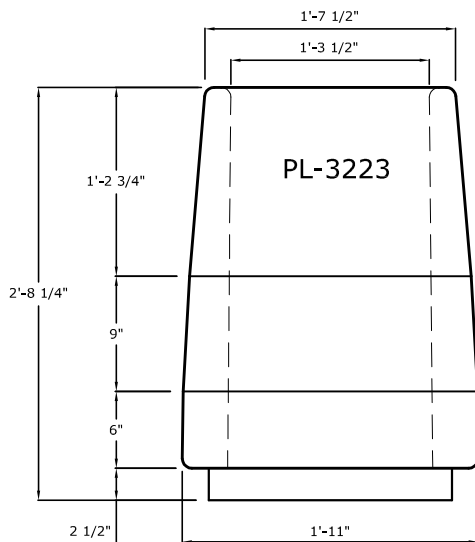
EXPOSED AGGREGATE BAND



PLAIN RECESSED BAND



ISOMETRICS



FRONT VIEWS



1625 E. DONOVAN RD., STE. C  
 SANTA MARIA, CA 93454  
 PH: (805) 928-2855  
 FAX: (805) 928-2114  
 www.midstateconcrete.com

**1842 - 1236 - 2430 -**  
**3223 SIERRA PLANTERS**  
**PRECAST CONCRETE**