



GO CURB INLET

PROJECT NAME: _____

LOCATION: _____

PO #: _____

JOB 3: _____

PHONE #: _____

FAX #: _____

DATE : _____

DI # : _____

STATION # : _____

CONTACT: _____

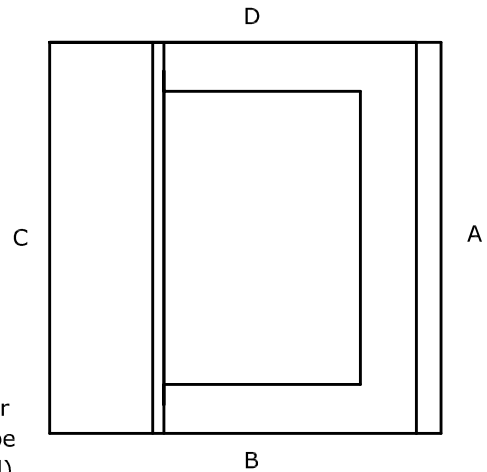
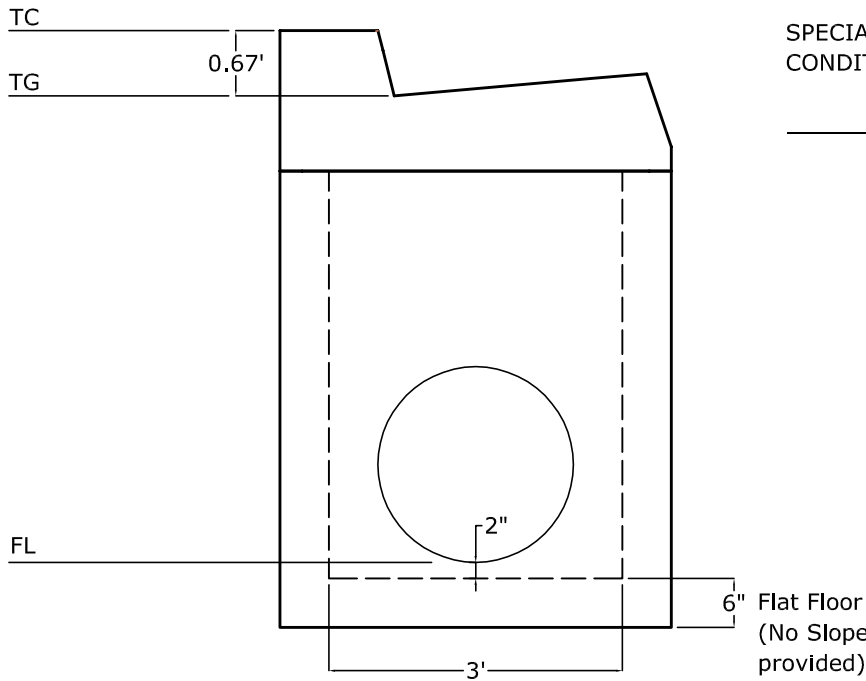
CUSTOMER: _____

TOTAL HEIGHT FROM
TC TO OUTLET
ELEVATION: _____

GRATE TYPE:



SPECIAL
CONDITION: _____



6" Flat Floor
(No Slope
provided)

PIPE SIZE

TYPE OF PIPE

F.L. ELEVATION

A _____

A _____

A _____

B _____

B _____

B _____

C _____

C _____

C _____

D _____

D _____

D _____