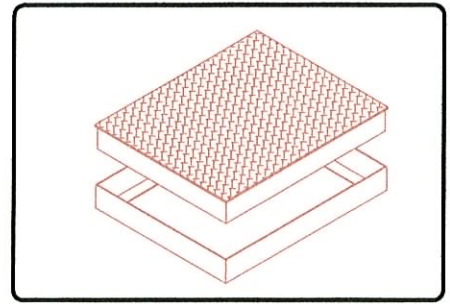
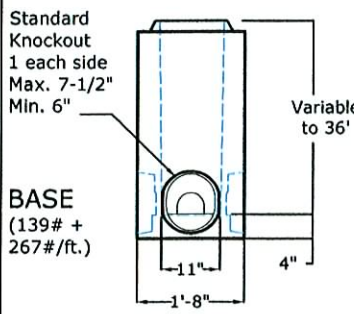
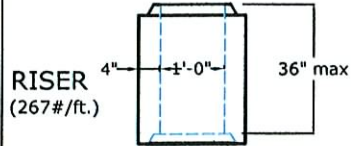
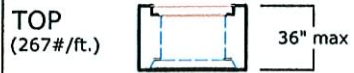


COVER AND GRATE OPTIONS

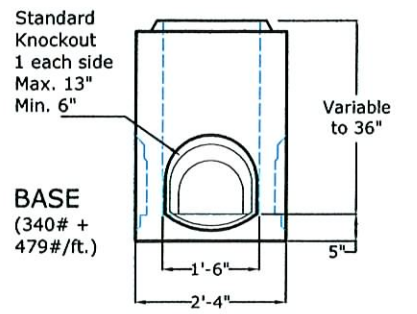
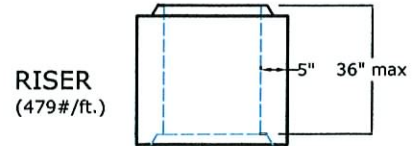
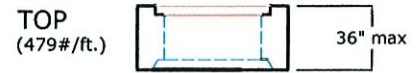


CATCH BASINS are available with the following COVER and GRATE options:

1. Traffic and Non-Traffic grates.
2. ADA and Bicycle proof Traffic grates.
3. Galv. steel solid Traffic and Non-Traffic covers.



12" x 12" SECTION

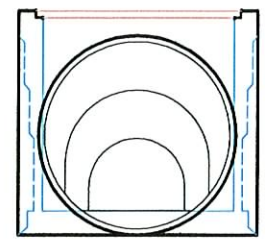


18" x 18" SECTION

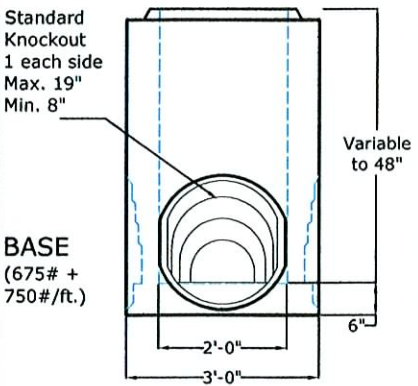
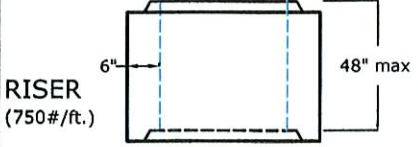
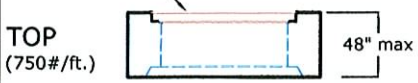
The "BOX" Option:

Catch Basin are available in a one piece "BOX" configuration, with the frame cast into the top of a one piece structure.

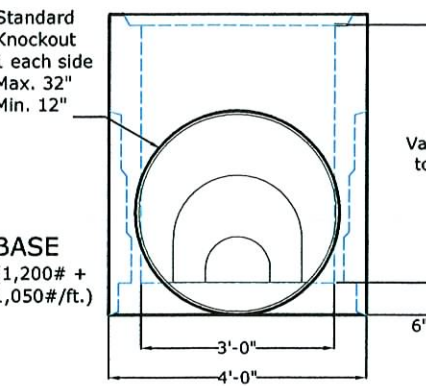
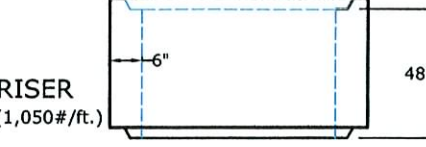
Catch Basins are available with Custom holes where required and Variable heights.



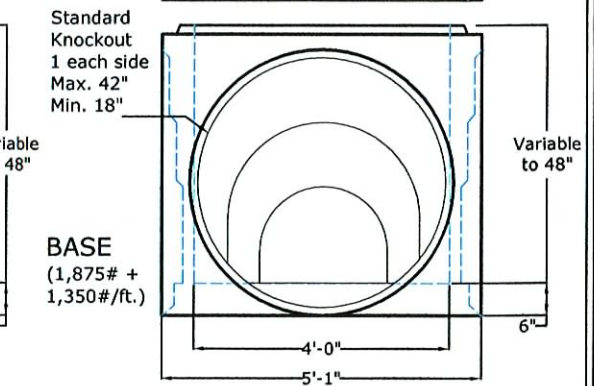
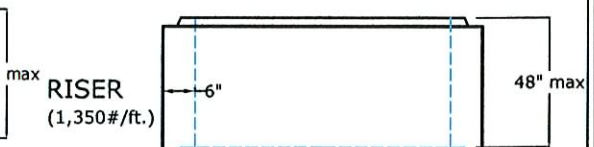
Galv. angle frame cast into top sections



24" x 24" SECTION



36" x 36" SECTION



48" x 48" SECTION



1625 E. DONOVAN RD., STE. C
SANTA MARIA, CA 93454
PH: (805) 928-2855
FAX: (805) 928-2114
www.midstateconcrete.com

SQUARE CATCH BASINS